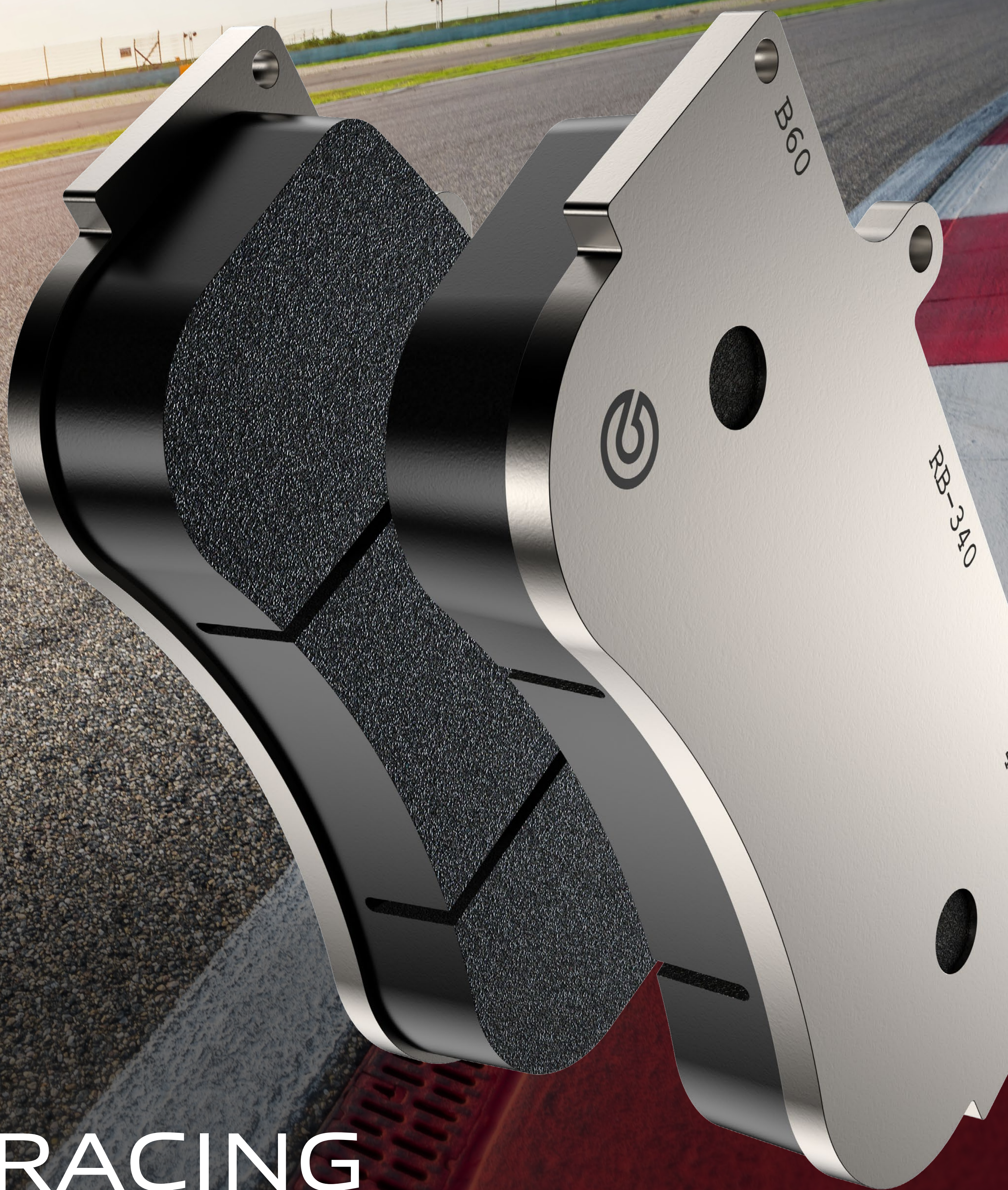




brembo
R A C I N G



RACING
PAD CATALOGUE

RACING PAD CATALOGUE



INDEX

01. Introduction

- Main Features
- Backplate Characteristics
- Pad Kit P/N & Backplate Explanation
- Bedding Procedure

02. Products

- Brembo Racing Pad Compounds
- Technical Compound Characteristic
- Pad Features Comparison
- Compound Characteristics Detail
- Pad Kit P/N List
- Pad Drawing
- Pad/Caliper Cross Reference

MAIN FEATURES

Developed
for Racing
Applications

Low Heat
Conductivity

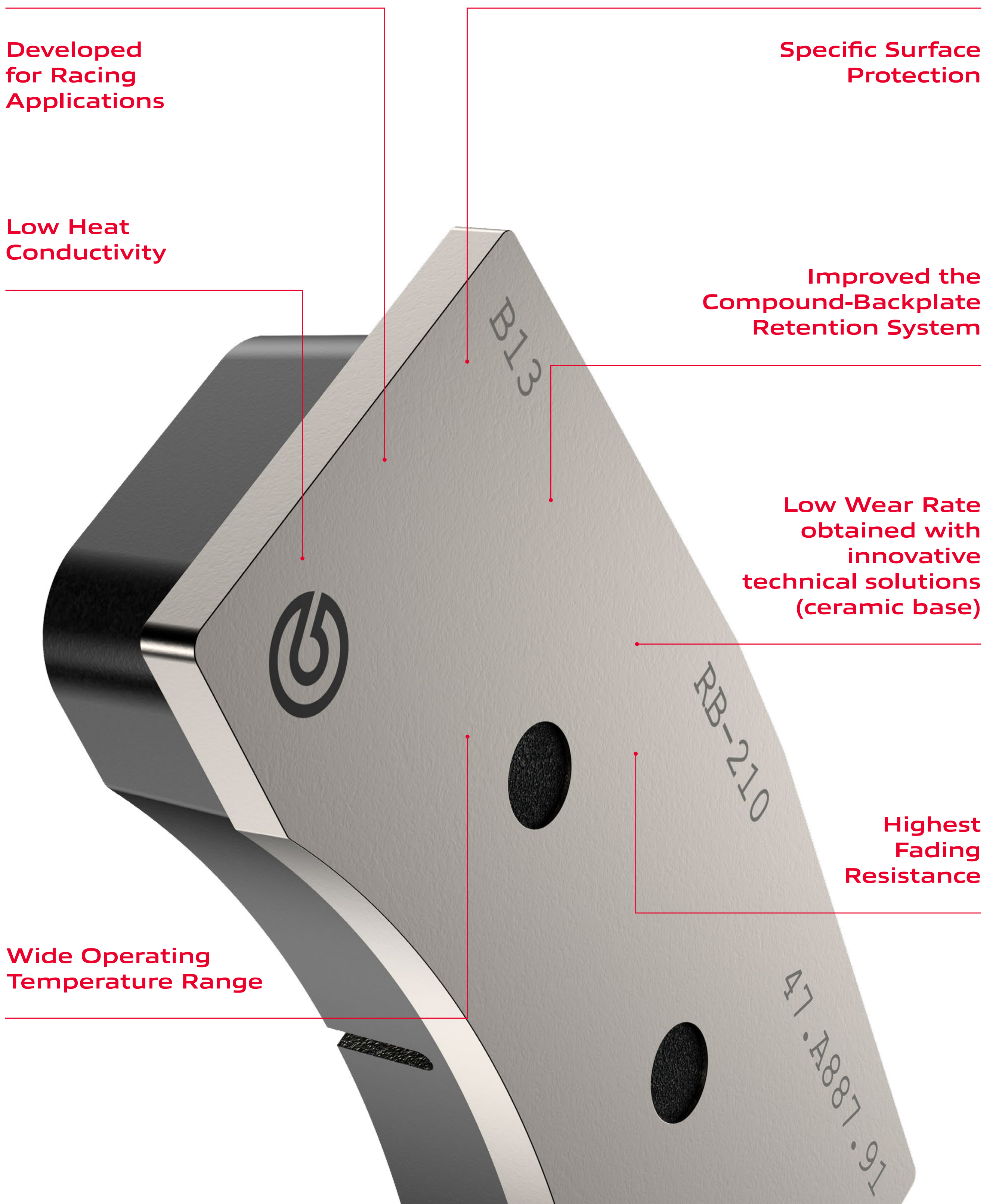
Specific Surface
Protection

Improved the
Compound-Backplate
Retention System

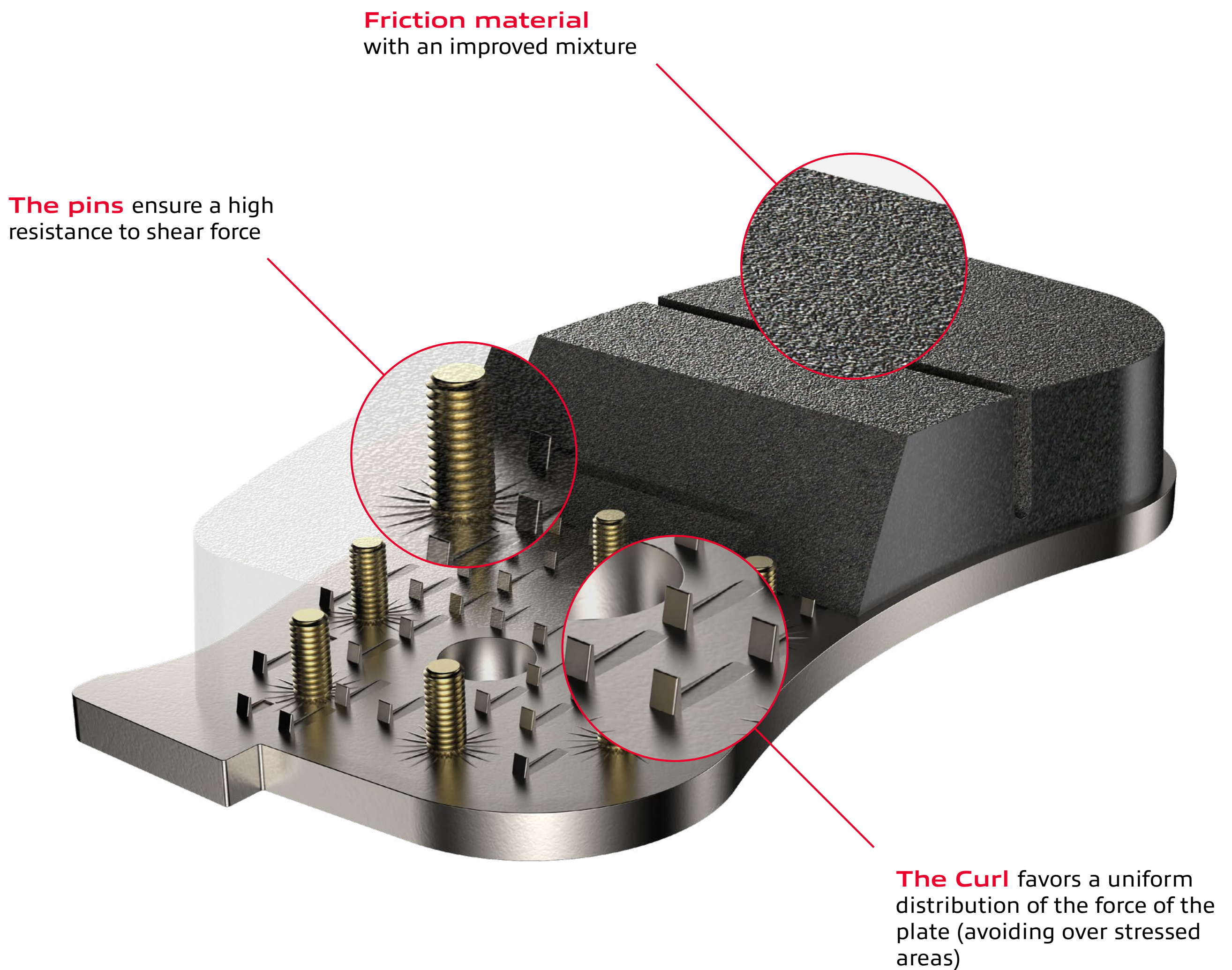
Low Wear Rate
obtained with
innovative
technical solutions
(ceramic base)

Highest
Fading
Resistance

Wide Operating
Temperature Range



BACKPLATE CHARACTERISTICS



Brembo pads are equipped with a state of the art anchoring system that allows for maximum performance to be achieved. Brembo uses a system patented by ABC called pin + curl.

THE ADVANTAGES OF USING THE PIN + CURL SYSTEM

The new anchoring system consists of pins which allow for high resistance to the shear force as well as the curl which favors a uniform distribution of this force on the plate.

The pins increase the compressive stiffness of the pad and, at the same time, favor the compression of the friction material during the process.

This is a system available for the RB-210, RB-330, RB-340, RB-350, RB-360 compounds. Instead, the RB-170 is equipped with a standard anchoring system.

Brembo pads are made from a material that has an improved texture. This allows to obtain high performance as well as a considerable duration over time.

They are used extensively due to their light weight, high strength, abrasion resistance and thermal stability.

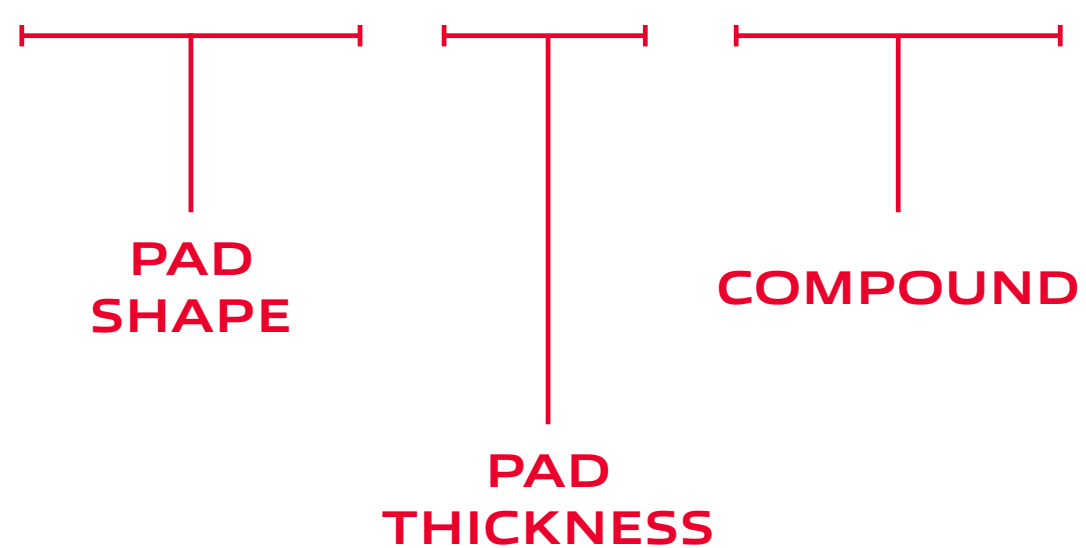
PAD KIT P/N & BACKPLATE EXPLANATION

BREMBO PAD KIT P/N

The Brembo pad kit P/N is made up of 3 parts. Each of which refers to a specific feature of the product.

The first 3 digits refers to the pad shape. The 2 central digits define the pad thickness. Finally, the last 3 digits identify the compound.

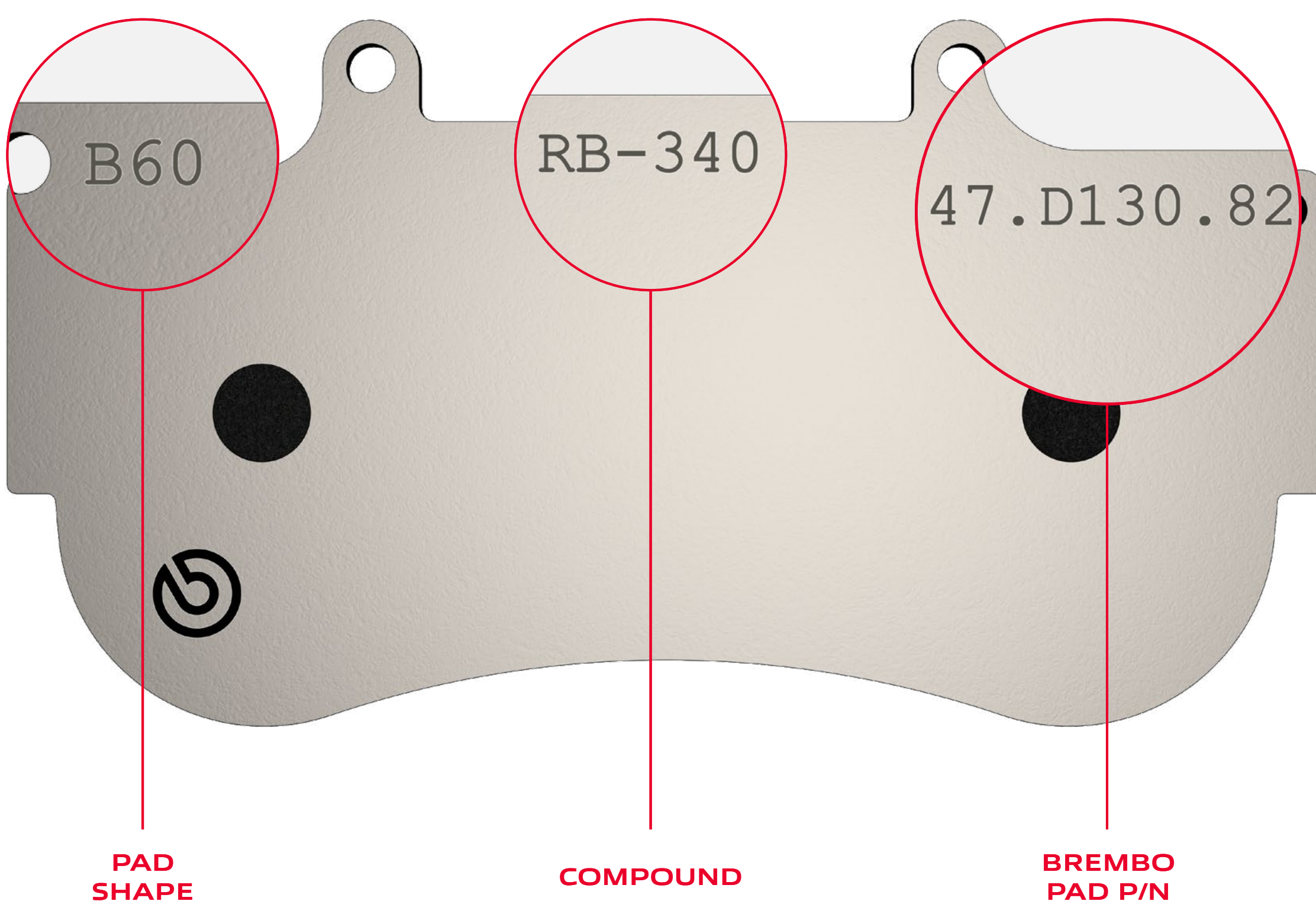
B60.25.340



BACKPLATE DETAILS

On the back of each Brembo plate there are some useful information which allows you to easily identify the main information on the pad.

In fact, you can find the Brembo pad P/N, the pad shape and the compound.



BEDDING PROCEDURE

The bedding procedure is needed to match disc and pad and prepare them for the race: the pre-bedding procedure that Brembo is able to offer, is done on a dyno bench with a dedicated process which allows saving time when the pads and/or discs will be assembled in the car.

This procedure helps to build a uniform and stable transfer layer on the disc, that will subsequently ensure the correct friction; in this phase the pad material is not modified but works to create a deposit on the disc surface.

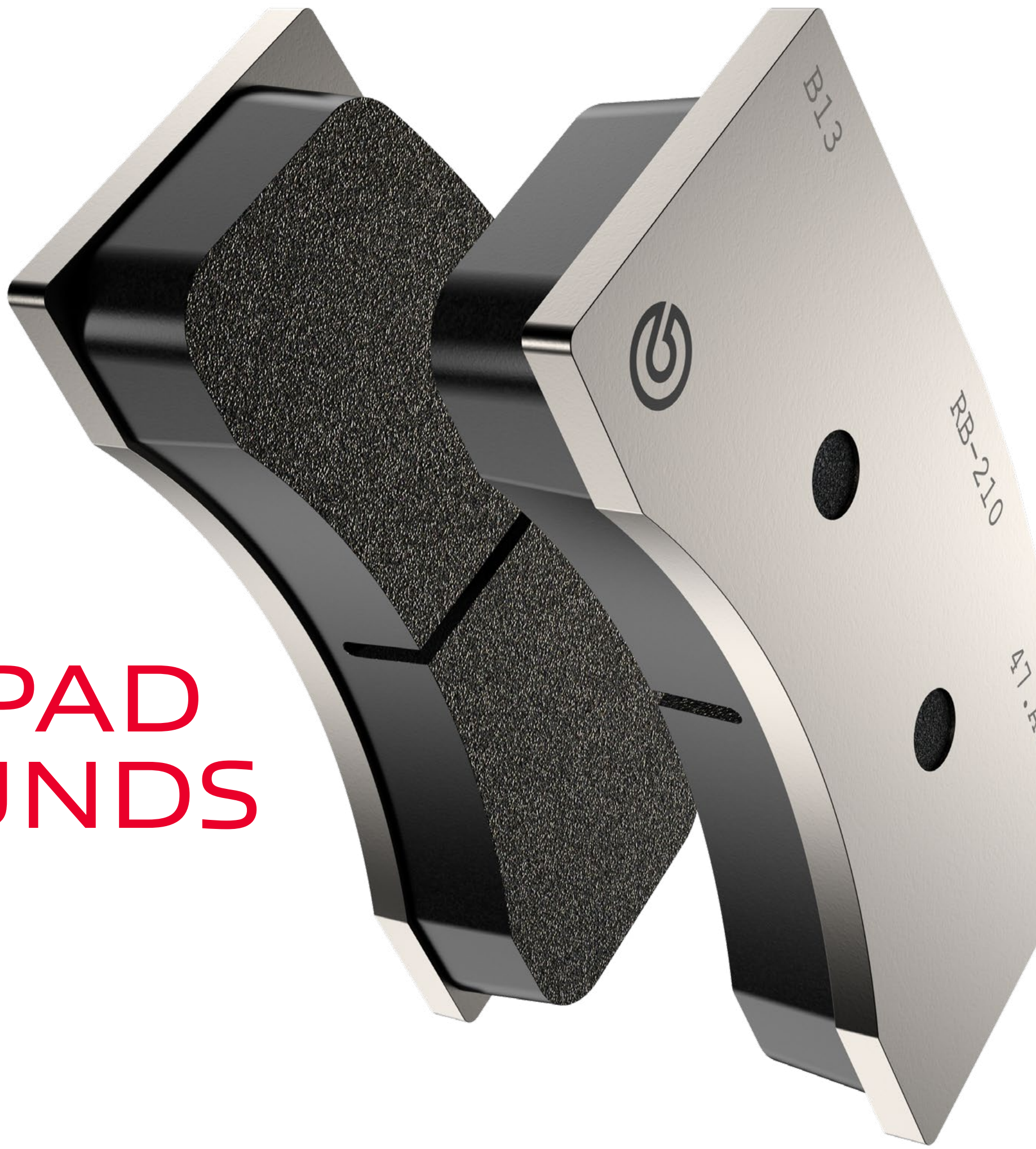
The bedding procedure also helps adjust the geometric shape of the disc and pad so they are working in parallel.

The bedding is a very critical element of the life of brake components, an incorrect or hasty procedure could compromise not only the life but also the performance of components.

The pre-bedding procedure reduces the risk of damaging the discs and pads. It will also reduce the amount of track time needed to properly prepare the brakes for a race weekend.

Please ask to your Brembo Racing Dealer for the available pre-bedded pad version.





BREMBO RACING PAD COMPOUNDS

RB - 170

The RB-170 compound has a good level of bite but has a high wear rate when compared to RB-340. The compound can be used on the front and rear axle of many different types of race cars due to its stable torque output.

RB - 210

The RB-210 is ideal for the rear axle due to its lower friction coefficient. It has a digressive torque curve at higher temperature ranges which can be ideal for some rear applications.

RB - 330

The RB-330 compound is slightly higher in bite when compared to RB-210 with a low wear rate. Works well on the rear axle however can also be used on the front axle applications needing a mid-range initial bite.

RB - 340

The RB-340 is the most popular pad compound used on GT applications today. Its Brembo's most versatile compound and can be used on a wide variety of race cars. It provides good initial bite with linear torque and has good modulation. It has a stable performance throughout its life and has won numerous endurance and sprint events.

RB - 350

The RB-350 compound has first-rate characteristics even under extreme driving conditions and throughout the service life of the brake pads. RB-350 offers higher initial bite when compared to RB-340 and is designed to work under more demanding applications with its resistance to fading.

RB - 360

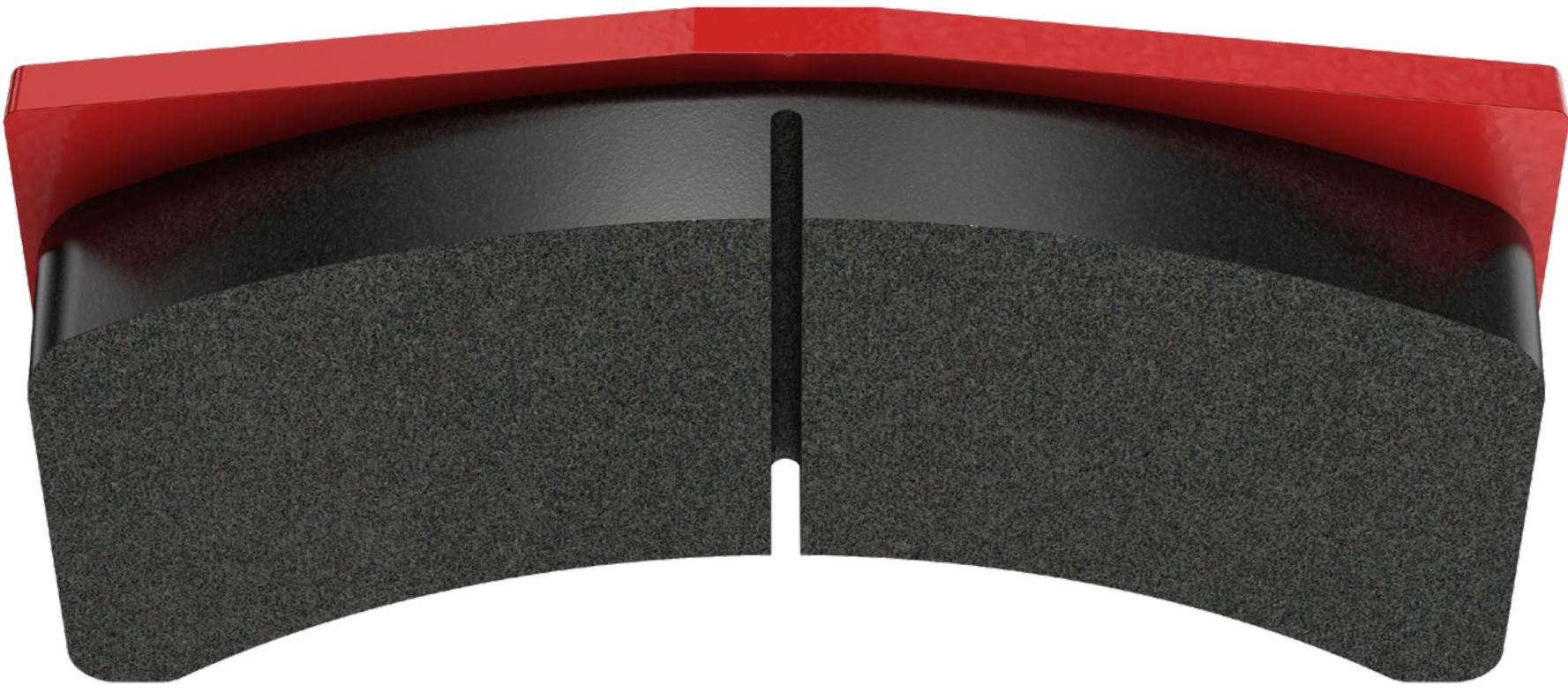
RB-360 is Brembo's newest pad compound. The initial bite is higher than RB-340 and lower than RB-350. It contains all the great qualities of RB-340 with a bit higher wear rate offering good modulation and release characteristics. Also offering reliable performance at a variety of temperature ranges due to its ceramic based material. This is an excellent road racing pad that can work on a variety of race cars.

**TECHNICAL
COMPOUND
CHARACTERISTIC**

RB - 170

FEATURES

- STOPPING POWER ● ● ● ● ● ● ● ●
- DISC WEAR ● ● ● ● ● ● ● ●
- DISC USAGE TEMPERATURE ● ● ● ● ● ● ● ●
- MODULATION ● ● ● ● ● ● ● ●
- BITE ● ● ● ● ● ● ● ●



DESCRIPTION

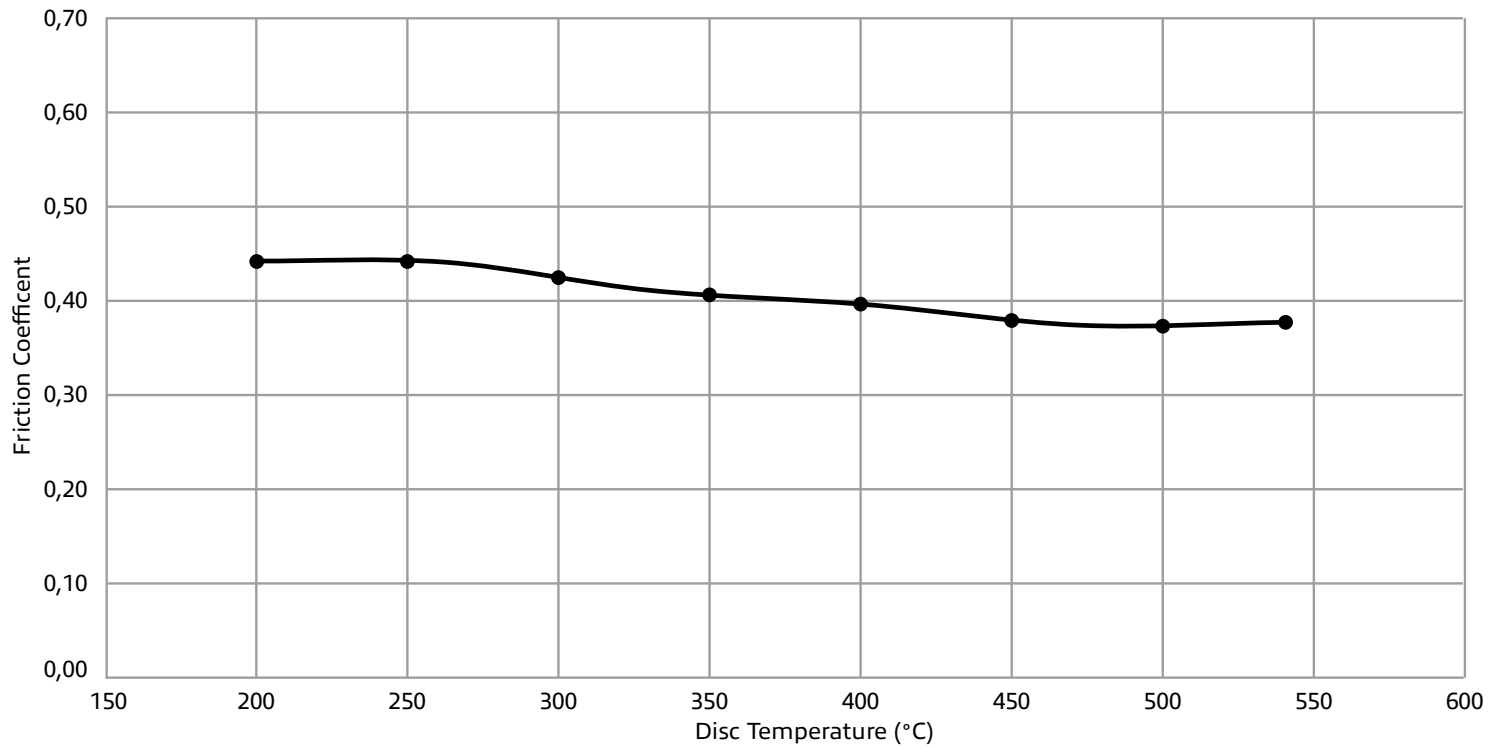
The RB-170 compound has a good level of bite but has a high wear rate when compared to RB-340.

The compound can be used on the front and rear axle of many different types of race cars due to its stable torque output.

TYPICAL APPLICATIONS

The RB-170 is suitable for Formula 3, GT Sprint race, TARMAC Rally (Gr. N) and Turismo race.

FRICITION VS TEMPERATURE



MAIN CHARACTERISTICS

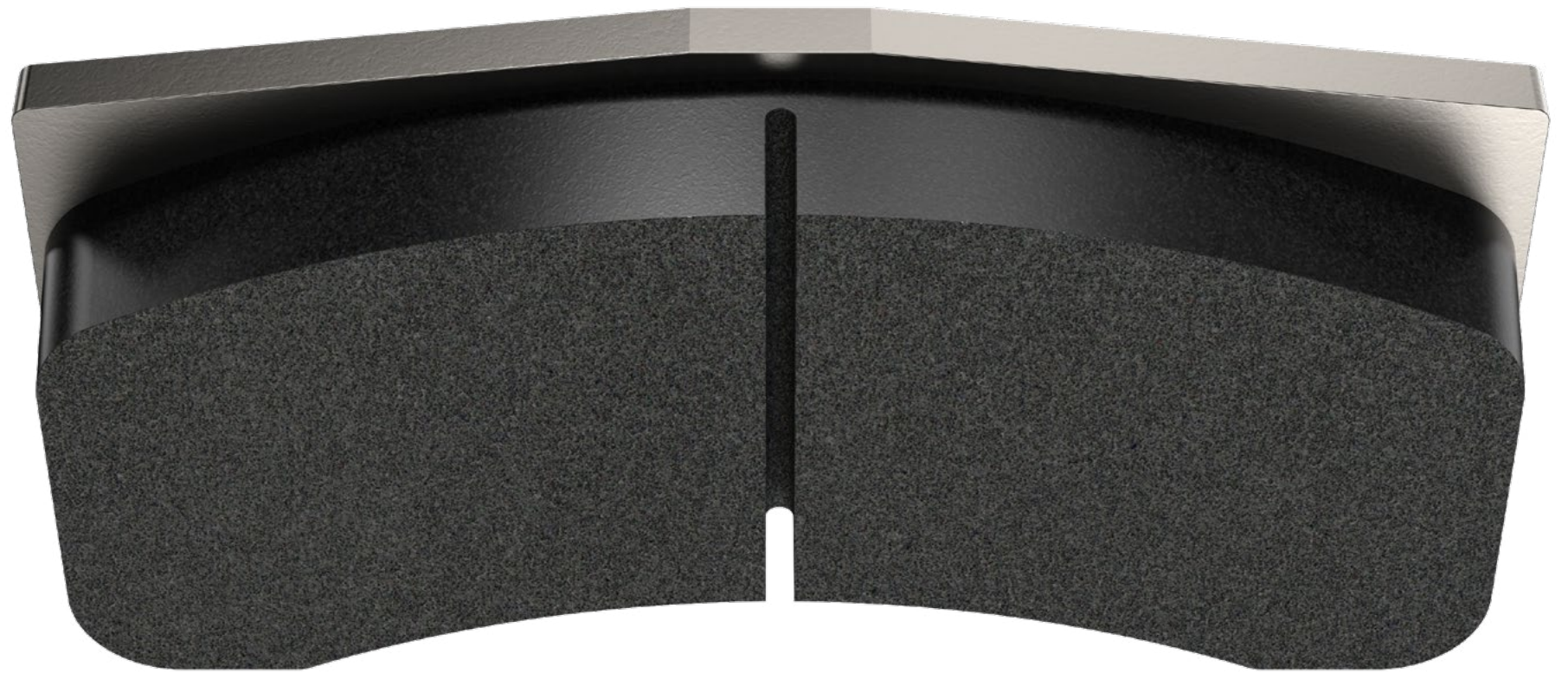
BEDDING	Easy to bed compound
MODULATION	Good level of modulation of use. Good torque control
PERFORMANCE	Medium and controllable initial bite. Multi purpose friction material
AVERAGE FRICTION	Medium average friction level
FADING RESISTANCE	Medium fading resistance against market competitor
WEAR RATE (DISC AND PAD)	Medium wear rate for pad and disc
HEAT CONDUCTIVITY	High heat conductivity
SURFACE PROTECTION	Painted
POSITION	Used both on front and rear axle
PEDAL FEELING	Good consistency in any condition

**TECHNICAL
COMPOUND
CHARACTERISTIC**

RB - 210

FEATURES

STOPPING POWER	● ● ● ● ● ●
DISC WEAR	● ● ● ● ● ●
DISC USAGE TEMPERATURE	● ● ● ● ● ●
MODULATION	● ● ● ● ● ●
BITE	● ● ● ● ● ●



DESCRIPTION

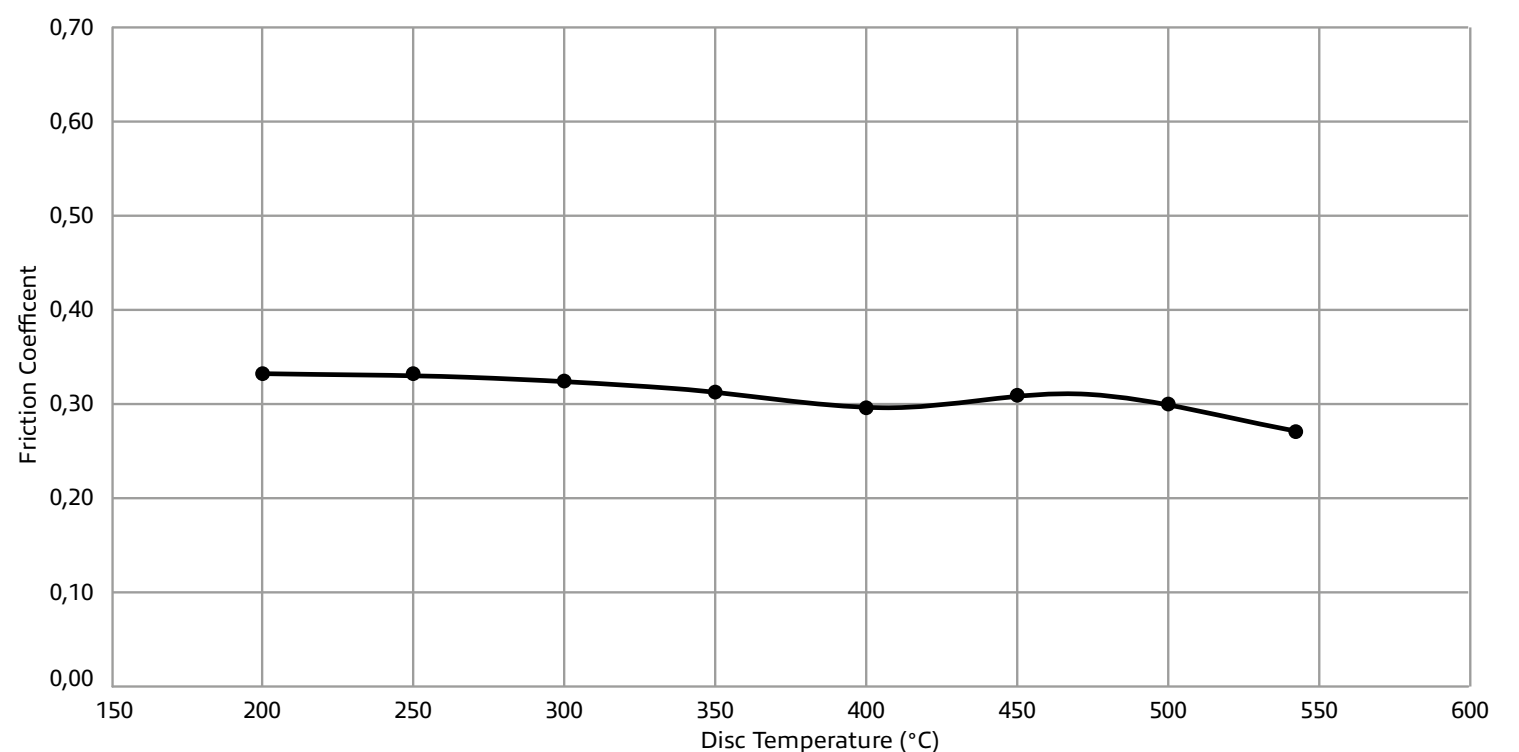
The RB-210 is ideal for the rear axle due to its lower friction coefficient.

It has a digressive torque curve at higher temperature ranges which can be ideal for some rear applications.

TYPICAL APPLICATIONS

The RB-210 is recommended for GT Race use (rear use).

FRICITION VS TEMPERATURE



MAIN CHARACTERISTICS

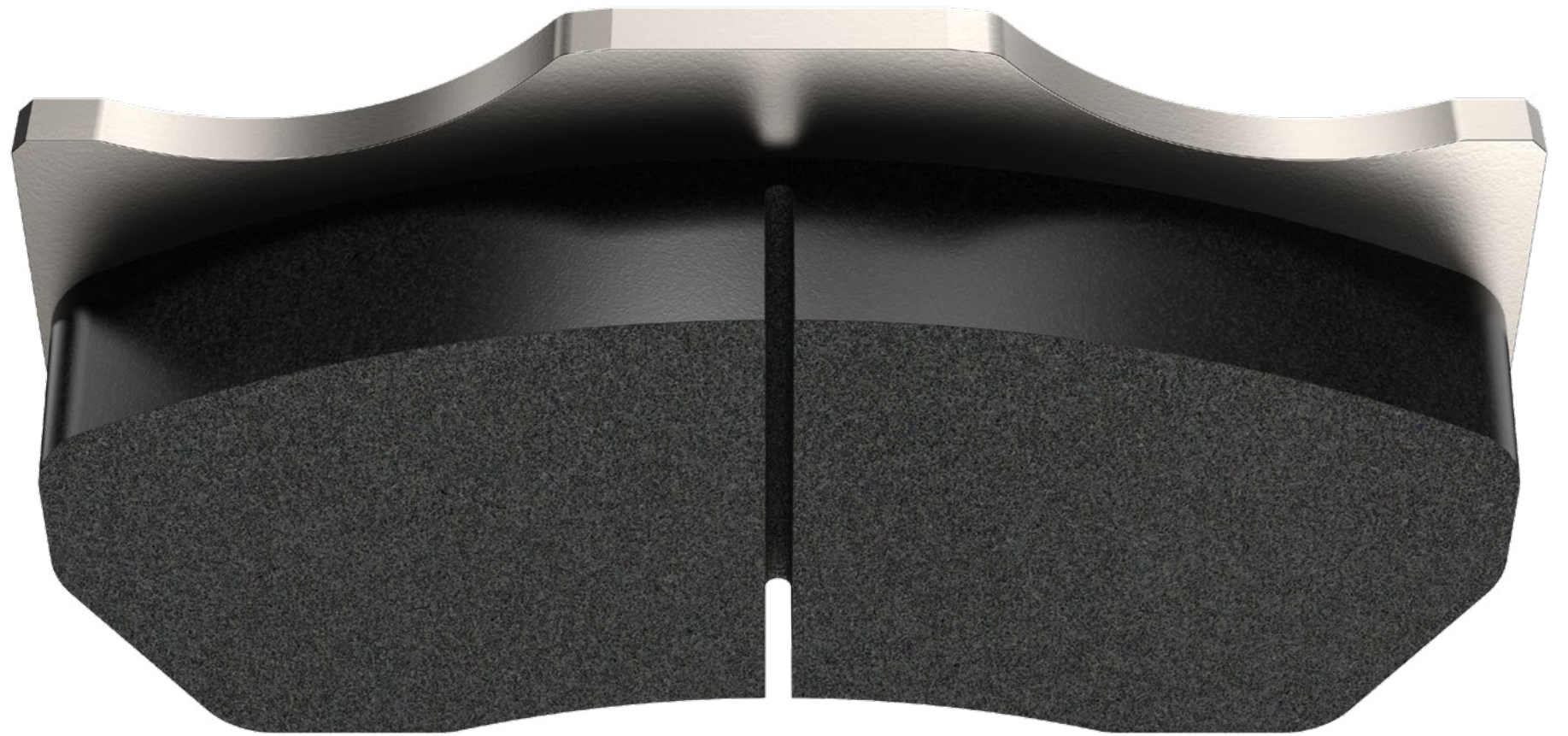
BEDDING	Easy to bed compound
MODULATION	Good level of modulation of use. Good torque control
PERFORMANCE	Low initial bite
AVERAGE FRICTION	Low average friction level
FADING RESISTANCE	Medium fading resistance against market competitor
WEAR RATE (DISC AND PAD)	Medium wear rate for pad and disc
HEAT CONDUCTIVITY	Medium heat conductivity
SURFACE PROTECTION	Nickel plated coating which is more resistant to higher temperature range seen in racing conditions
POSITION	Used on rear axle
PEDAL FEELING	Good consistency in any condition

**TECHNICAL
COMPOUND
CHARACTERISTIC**

RB - 330

FEATURES

STOPPING POWER	● ● ● ● ● ● ● ●
DISC WEAR	● ● ● ● ● ● ● ●
DISC USAGE TEMPERATURE	● ● ● ● ● ● ● ●
MODULATION	● ● ● ● ● ● ● ●
BITE	● ● ● ● ● ● ● ●



DESCRIPTION

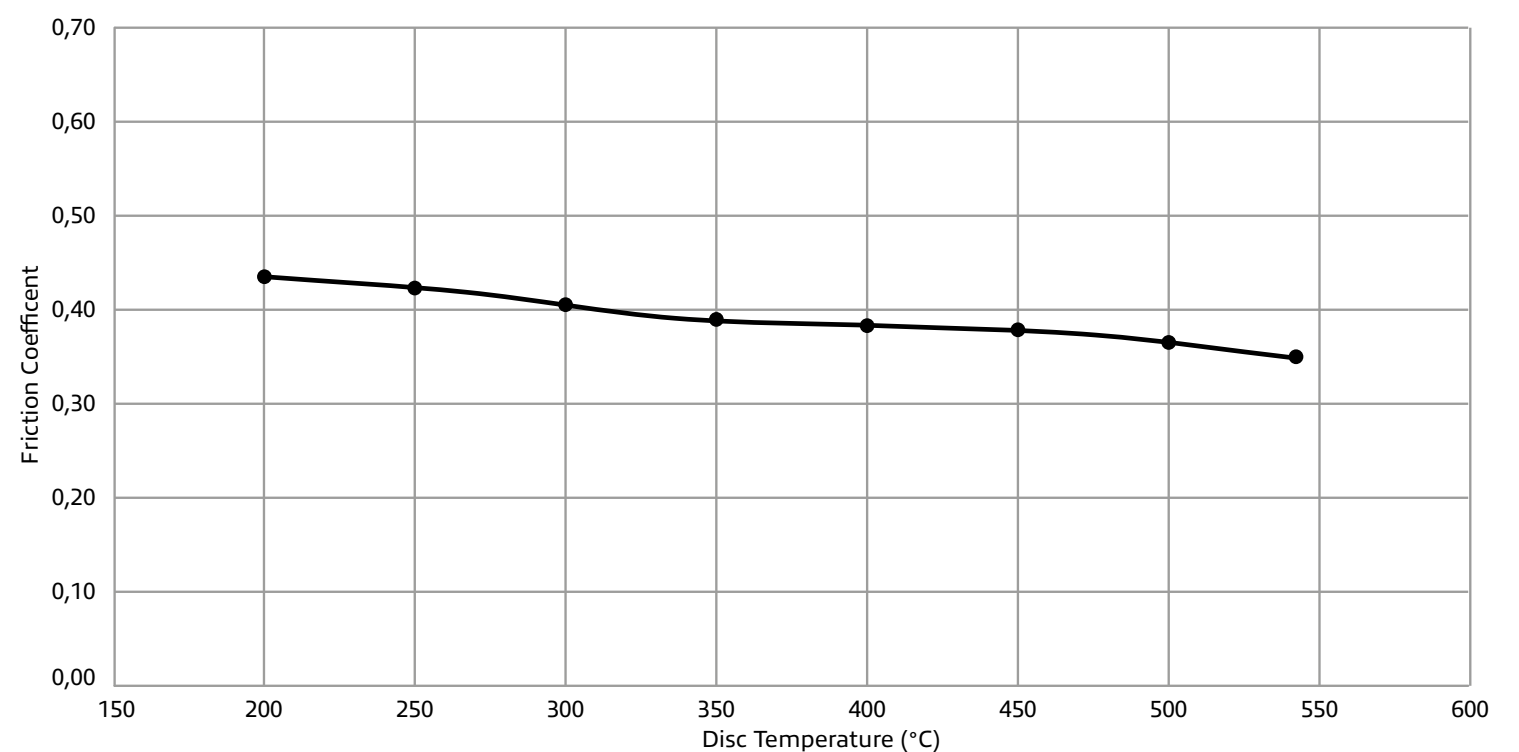
The RB-330 compound is slightly higher in bite when compared to RB-210 with a low wear rate.

Works well on the rear axle however can also be used on the front axle applications needing a mid-range initial bite.

TYPICAL APPLICATIONS

The RB-330 is used in the GT Endurance Race (rear use) and Rally Gravel (Gr. N).

FRICITION VS TEMPERATURE



MAIN CHARACTERISTICS

BEDDING	Easy to bed compound
MODULATION	Good level of modulation of use. Good torque control
PERFORMANCE	Medium initial bite
AVERAGE FRICTION	Medium average friction level
FADING RESISTANCE	High fading resistance against market competitor
WEAR RATE (DISC AND PAD)	Low wear rate obtained with innovative technical solutions (ceramic base).
HEAT CONDUCTIVITY	Low heat conductivity
SURFACE PROTECTION	Nickel plated coating which is more resistant to higher temperature range seen in racing conditions
POSITION	Used both on front and rear axle
PEDAL FEELING	Stiff and consistent pedal in any condition (stable performance)

TECHNICAL COMPOUND CHARACTERISTIC

RB - 340

FEATURES

STOPPING POWER	● ● ● ● ● ● ● ●
DISC WEAR	● ● ● ● ● ● ● ●
DISC USAGE TEMPERATURE	● ● ● ● ● ● ● ●
MODULATION	● ● ● ● ● ● ● ●
BITE	● ● ● ● ● ● ● ●



DESCRIPTION

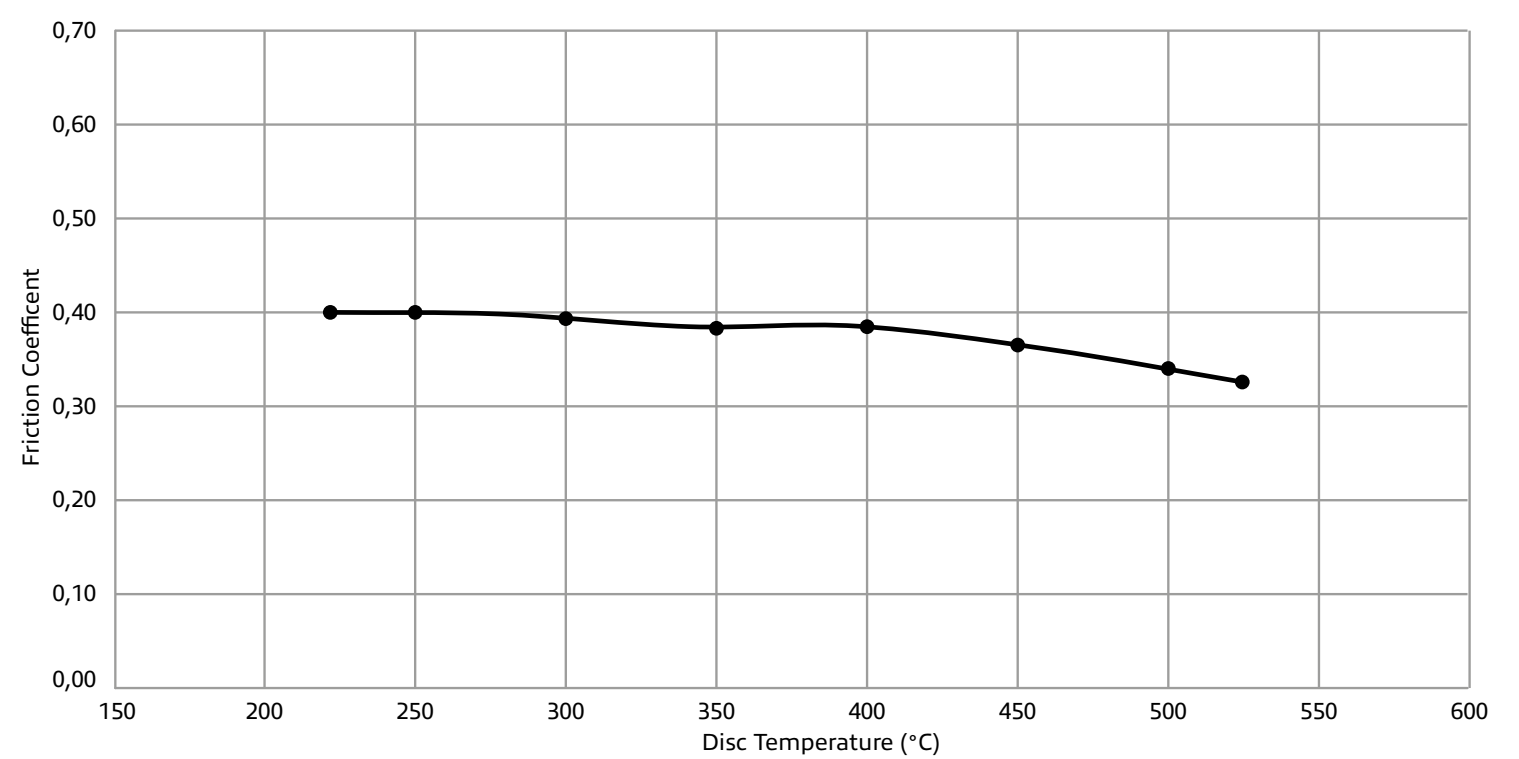
The RB-340 is the most popular pad compound used on GT applications today. It's Brembo's most versatile compound and can be used on a wide variety of race cars. It provides good initial bite with linear torque and has good modulation.

It has a stable performance throughout its life and has won numerous endurance and sprint events.

TYPICAL APPLICATIONS

The RB-340 is highly recommended for GT Endurance racing however it also works well for Sprint Races. Furthermore, it can also be used on TARMAC Rally.

FRICITION VS TEMPERATURE



MAIN CHARACTERISTICS

BEDDING	Bit longer bedding procedure
MODULATION	Good level of modulation of use. Good torque control
PERFORMANCE	Medium initial bite
AVERAGE FRICTION	High average friction level
FADING RESISTANCE	High fading resistance against market competitor
WEAR RATE (DISC AND PAD)	Low wear rate obtained with innovative technical solutions (ceramic base)
HEAT CONDUCTIVITY	Low heat conductivity
SURFACE PROTECTION	Nickel plated coating which is more resistant to higher temperature range seen in racing conditions
POSITION	Used both on front and rear axle
PEDAL FEELING	Stiff and consistent pedal in any condition (stable performance)

**TECHNICAL
COMPOUND
CHARACTERISTIC**

RB - 350

FEATURES

STOPPING POWER	● ● ● ● ● ● ● ●
DISC WEAR	● ● ● ● ● ● ● ●
DISC USAGE TEMPERATURE	● ● ● ● ● ● ● ●
MODULATION	● ● ● ● ● ● ● ●
BITE	● ● ● ● ● ● ● ●



DESCRIPTION

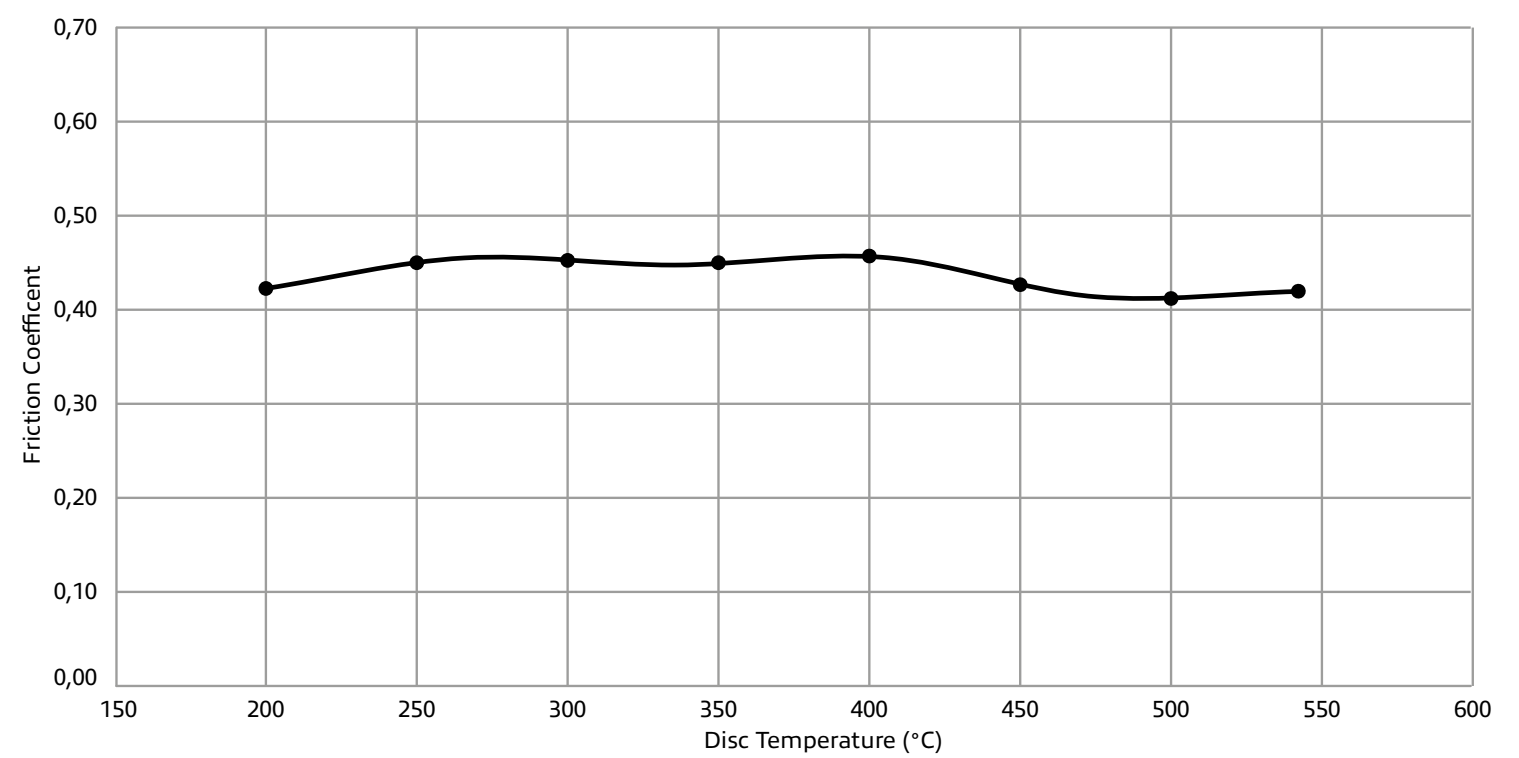
The RB-350 compound has first-rate characteristics even under extreme driving conditions and throughout the service life of the brake pads.

RB-350 offers higher initial bite when compared to RB-340 and is designed to work under more demanding applications with its resistance to fading.

TYPICAL APPLICATIONS

The RB-350 is used in the GT Sprint Race and TARMAC Rally.

FRICTION VS TEMPERATURE



MAIN CHARACTERISTICS

BEDDING	Bit longer bedding procedure
MODULATION	Affected by high initial bite
PERFORMANCE	High initial bite but limited in time
AVERAGE FRICTION	High average friction level
FADING RESISTANCE	Medium fading resistance against market competitor
WEAR RATE (DISC AND PAD)	Low wear rate obtained with innovative technical solutions (ceramic base). Higher than RB-360
HEAT CONDUCTIVITY	Low heat conductivity
SURFACE PROTECTION	Nickel plated coating which is more resistant to higher temperature range seen in racing conditions
POSITION	Used on front axle
PEDAL FEELING	High consistency in the correct working temperatures

**TECHNICAL
COMPOUND
CHARACTERISTIC**

RB - 360

FEATURES

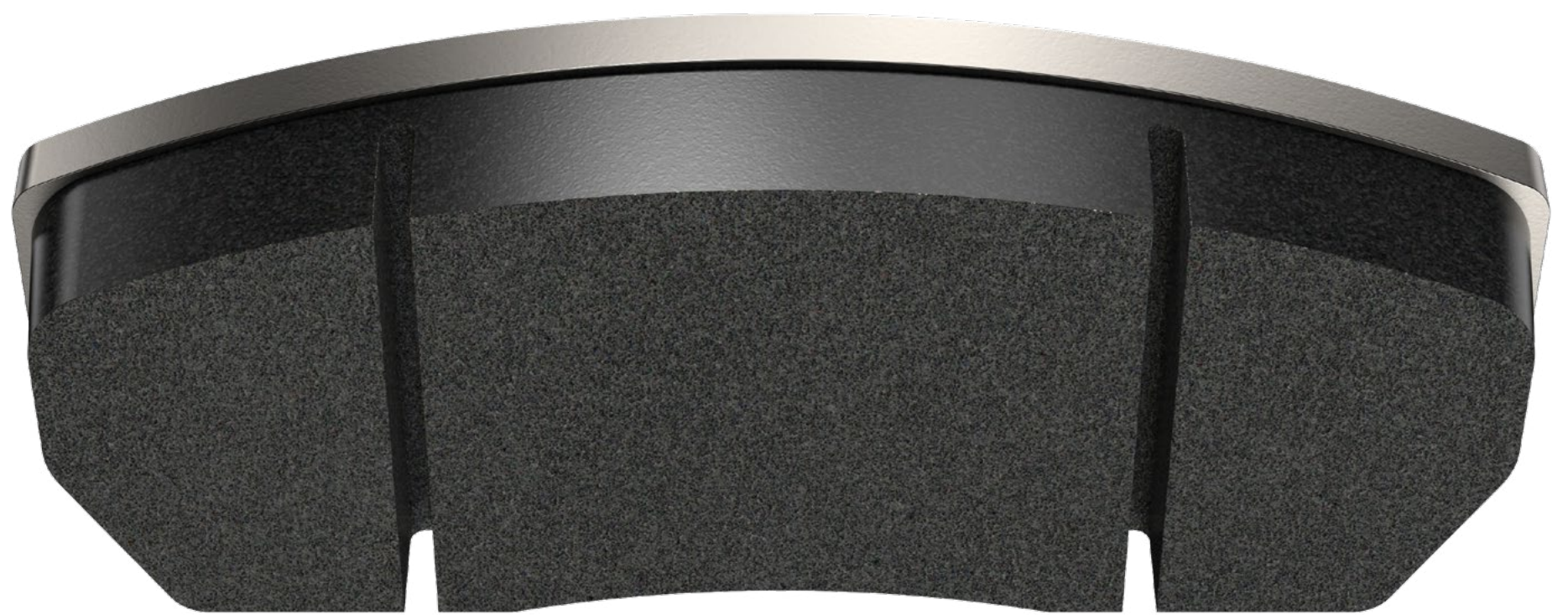
- STOPPING POWER ● ● ● ● ● ●

- DISC WEAR ● ● ● ● ● ●

- DISC USAGE TEMPERATURE ● ● ● ● ● ●

- MODULATION ● ● ● ● ● ●

- BITE ● ● ● ● ● ●



DESCRIPTION

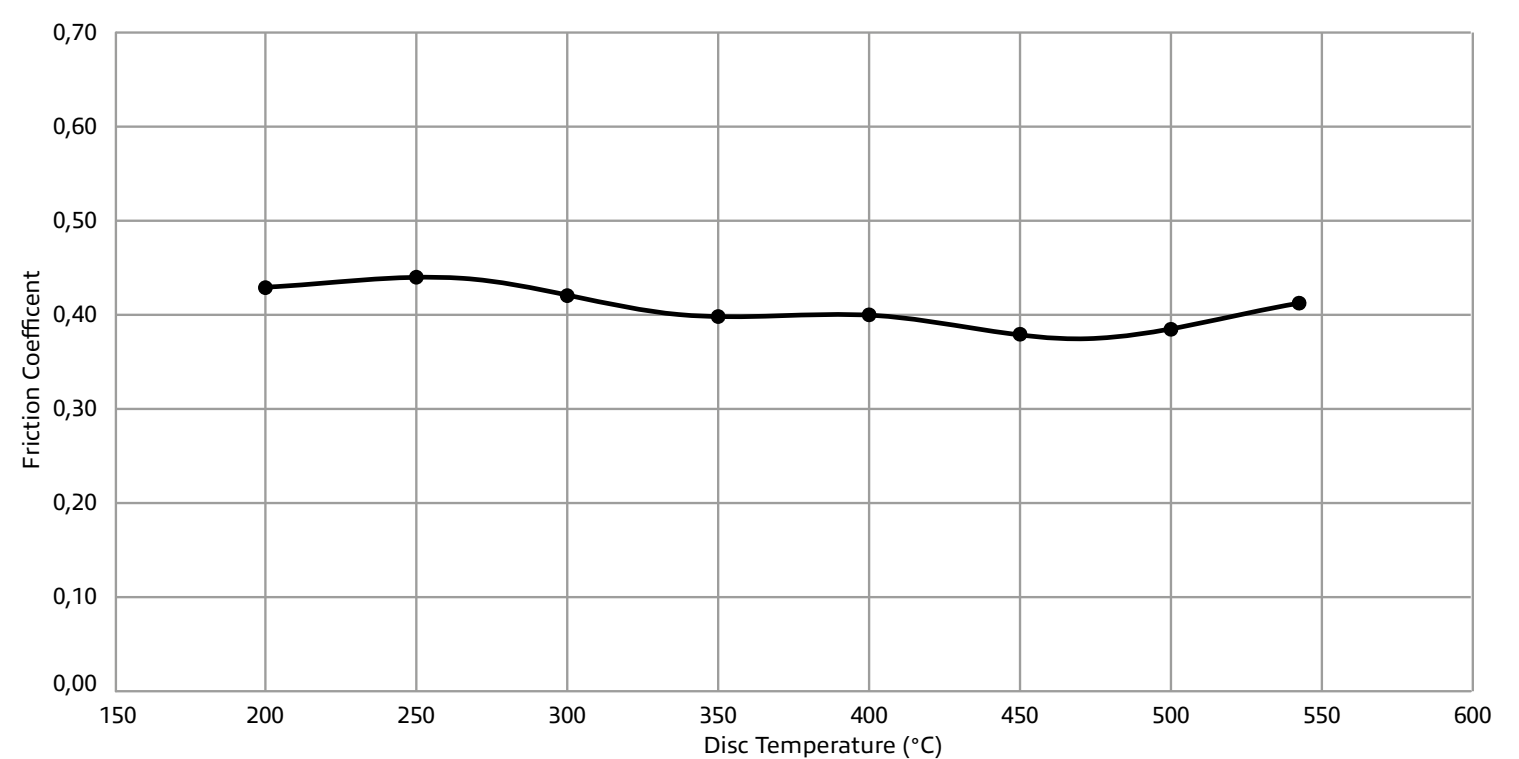
RB-360 is Brembo’s newest pad compound. The initial bite is higher than RB-340 and lower than RB-350. It contains all the great qualities of RB-340 with a bit higher wear rate.

Offering good modulation and release characteristics. Also offering reliable performance at a variety of temperature ranges due to its ceramic based material. This is an excellent road racing pad that can work on a variety of race cars.

TYPICAL APPLICATIONS

The RB-360 is strongly recommended for GT Sprint Race use up to 6 hours. Furthermore, they also find application in the TARMAC Rally.

FRICITION VS TEMPERATURE



MAIN CHARACTERISTICS

BEDDING	Bit longer bedding procedure
MODULATION	Good level of modulation of use. Good torque control
PERFORMANCE	High initial bite
AVERAGE FRICTION	High average friction level
FADING RESISTANCE	High fading resistance against market competitor
WEAR RATE (DISC AND PAD)	Low wear rate obtained with innovative technical solutions (ceramic base). Higher than RB-340
HEAT CONDUCTIVITY	Low heat conductivity
SURFACE PROTECTION	Nickel plated coating which is more resistant to higher temperature range seen in racing conditions
POSITION	Used on front axle
PEDAL FEELING	Stiff and consistent pedal in any condition (stable performance)

PAD FEATURES COMPARISON

	RB-170	RB-210	RB-330	RB-340	RB-350	RB-360
STOPPING POWER	● ● ● ● ●	● ● ● ● ●	● ● ● ● ●	● ● ● ● ●	● ● ● ● ●	● ● ● ● ●
DISC WEAR	● ● ● ● ●	● ● ● ● ●	● ● ● ● ●	● ● ● ● ●	● ● ● ● ●	● ● ● ● ●
DISC USAGE TEMPERATURE	● ● ● ● ●	● ● ● ● ●	● ● ● ● ●	● ● ● ● ●	● ● ● ● ●	● ● ● ● ●
MODULATION	● ● ● ● ●	● ● ● ● ●	● ● ● ● ●	● ● ● ● ●	● ● ● ● ●	● ● ● ● ●
BITE	● ● ● ● ●	● ● ● ● ●	● ● ● ● ●	● ● ● ● ●	● ● ● ● ●	● ● ● ● ●
TYPICAL APPLICATIONS	Formula 3 GT Sprint race TARMAC Rally Turismo race	GT race (rear)	GT Endurance race (rear) Rally Gravel (Gr.N)	GT Endurance race Sprint race TARMAC Rally	GT Sprint race (6h) Rally TARMAC	GT Sprint race (6h) TARMAC Rally

Typical applications are only suggested. For detailed information about the fitting compatibility, please ask to your Brembo Racing Dealer.

COMPOUND CHARACTERISTICS DETAIL

	RB-170	RB-210	RB-330	RB-340	RB-350	RB-360
BEDDING	Easy to bed compound	Easy to bed compound	Bit longer bedding procedure	Bit longer bedding procedure	Bit longer bedding procedure	Bit longer bedding procedure
MODULATION	Good level of modulation of use. Good torque control	Good level of modulation of use. Good torque control	Good level of modulation of use. Good torque control	Good level of modulation of use. Good torque control	Affected by high initial bite	Good level of modulation of use. Good torque control
PERFORMANCE	Medium and controllable initial bite. Multi purpose friction material	Low initial bite	Medium initial bite	Medium initial bite	High initial bite but limited in time	High initial bite
AVERAGE FRICTION	Medium average friction level	Low average friction level	Medium average friction level	High average friction level	High average friction level	High average friction level
FADING RESISTANCE	Medium fading resistance against market competitor	Medium fading resistance against market competitor	High fading resistance against market competitor	High fading resistance against market competitor	Medium fading resistance against market competitor	High fading resistance against market competitor
WEAR RATE (DISC AND PAD)	Medium wear rate for pad and disc	Medium wear rate for pad and disc	Low wear rate obtained with innovative technical solutions (ceramic base).	Low wear rate obtained with innovative technical solutions (ceramic base)	Low wear rate obtained with innovative technical solutions (ceramic base). Higher than RB-360	Low wear rate obtained with innovative technical solutions (ceramic base). Higher than RB-340
HEAT CONDUCTIVITY	High heat conductivity	Medium heat conductivity	Low heat conductivity	Low heat conductivity	Low heat conductivity	Low heat conductivity
SURFACE PROTECTION	Painted	Nickel plated coating which is more resistant to higher temperature range seen in racing conditions.	Nickel plated coating which is more resistant to higher temperature range seen in racing conditions.	Nickel plated coating which is more resistant to higher temperature range seen in racing conditions.	Nickel plated coating which is more resistant to higher temperature range seen in racing conditions.	Nickel plated coating which is more resistant to higher temperature range seen in racing conditions.
POSITION	Used both on front and rear axle	Used on rear axle	Used both on front and rear axle	Used both on front and rear axle	Used on front axle	Used on front axle
PEDAL FEELING	Good consistency in any condition	Good consistency in any condition	Stiff and consistent pedal in any condition (stable performance)	Stiff and consistent pedal in any condition (stable performance)	High consistency in the correct working temperatures	Stiff and consistent pedal in any condition (stable performance)

PAD KIT P/N LIST

PAD SHAPE	PAD THICKNESS	COMPOUND	KIT P/N	P/N FOR ORDERS
B09	20	RB-170	B09.20.170	107.A469.81
B10	16	RB-170	B10.16.170	107.A469.02
B11	14	RB-170	B11.14.170	107.A469.17
B12	25	RB-330	B12.25.330	147.A469.G4
B12	25	RB-340	B12.25.340	147.A469.G5
B12	25	RB-360	B12.25.360	147.A469.G6
B13	16	RB-170	B13.16.170	107.A469.04
B13	16	RB-330	B13.16.330	147.A469.A7
B13	16	RB-350	B13.16.350	147.A469.B1
B13	16	RB-360	B13.16.360	147.A469.A4
B13	20	RB-340	B13.20.340	147.A469.73
B13	22	RB-170	B13.22.170	107.A469.18
B13	22	RB-340	B13.22.340	147.A469.60
B13	25	RB-330	B13.25.330	147.A469.B3
B13	25	RB-340	B13.25.340	147.A469.39
B13	25	RB-350	B13.25.350	147.A469.40
B13	25	RB-360	B13.25.360	147.A469.G7
B13	26,5	RB-210	B13.26.210	147.A469.G0
B13	26,5	RB-330	B13.26.330	147.A469.A3
B13	26,5	RB-340	B13.26.340	147.A469.42
B13	26,5	RB-350	B13.26.350	147.A469.24
B18W	25	RB-330	B18W.25.330	147.A469.W0
B18W	25	RB-340	B18W.25.340	147.A469.W1

PAD KIT P/N LIST

PAD SHAPE	PAD THICKNESS	COMPOUND	KIT P/N	P/N FOR ORDERS
B18W	25	RB-350	B18W.25.350	147.A469.W2
B18W	25	RB-360	B18W.25.360	147.A469.W7
B18W	26	RB-330	B18W.26.330	147.A469.W8
B18W	26	RB-340	B18W.26.340	147.A469.W9
B18W	26	RB-350	B18W.26.350	147.A469.Y0
B18W	26	RB-360	B18W.26.360	147.A469.Y1
B18W	16	RB-330	B18W.16.330	147.A469.W3
B18W	16	RB-340	B18W.16.340	147.A469.W4
B18W	16	RB-350	B18W.16.350	147.A469.W5
B18W	16	RB-360	B18W.16.360	147.A469.W6
B19	17	RB-170	B19.17.170	107.A469.11
B21	30	RB-330	B21.30.330	147.A469.D1
B21	30	RB-340	B21.30.340	147.A469.37
B21	30	RB-360	B21.30.360	147.A469.G3
B22	18	RB-340	B22.18.340	147.A469.C1
B22	30	RB-330	B22.30.330	147.A469.D2
B22	30	RB-340	B22.30.340	147.A469.D3
B22	30	RB-350	B22.30.350	147.A469.D4
B22	30	RB-360	B22.30.360	147.A469.H5
B24	22	RB-340	B24.22.340	147.A469.71
B24	22	RB-350	B24.22.350	147.A469.70
B24	22	RB-360	B24.22.360	147.A469.G8
B24	25	RB-170	B24.25.170	107.A469.13

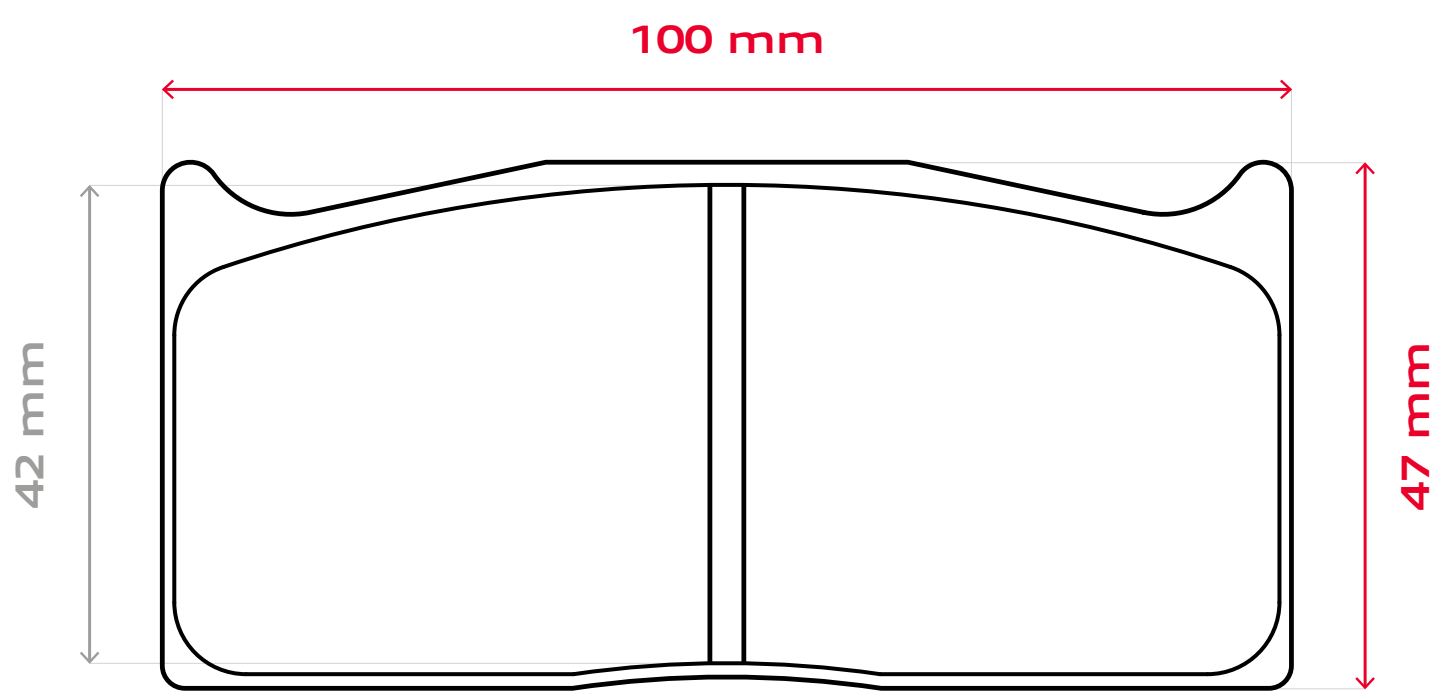
PAD KIT P/N LIST

PAD SHAPE	PAD THICKNESS	COMPOUND	KIT P/N	P/N FOR ORDERS
B24	25	RB-330	B24.25.330	147.A469.C7
B24	25	RB-340	B24.25.340	147.A469.41
B24	25	RB-350	B24.25.350	147.A469.23
B24	29	RB-340	B24.29.340	147.A469.34
B28	25	RB-330	B28.25.330	147.A469.55
B28	25	RB-340	B28.25.340	147.A469.52
B28	25	RB-350	B28.25.350	147.A469.A2
B28	29	RB-330	B28.29.330	147.A469.54
B28	29	RB-340	B28.29.340	147.A469.51
B28	29	RB-350	B28.29.350	147.A469.26
B28	29	RB-360	B28.29.360	147.A469.G2
B28	30	RB-340	B28.30.340	147.A469.E2
B28	30	RB-350	B28.30.350	147.A469.E3
B29	25	RB-340	B29.25.340	147.A469.77
B29	29	RB-340	B29.29.340	147.A469.B4
B30	20	RB-340	B30.20.340	147.A469.E1
B30	26	RB-330	B30.26.330	147.A469.D5
B30	26	RB-340	B30.26.340	147.A469.D6
B52	16,75	RB-330	B52.16.330	147.A469.H1
B52	16,75	RB-340	B52.16.340	147.A469.H2
B52	16,75	RB-360	B52.16.360	147.A469.H3
B52	20	RB-340	B52.20.340	147.A469.A6
B55	25	RB-340	B55.25.340	147.A469.66

PAD KIT P/N LIST

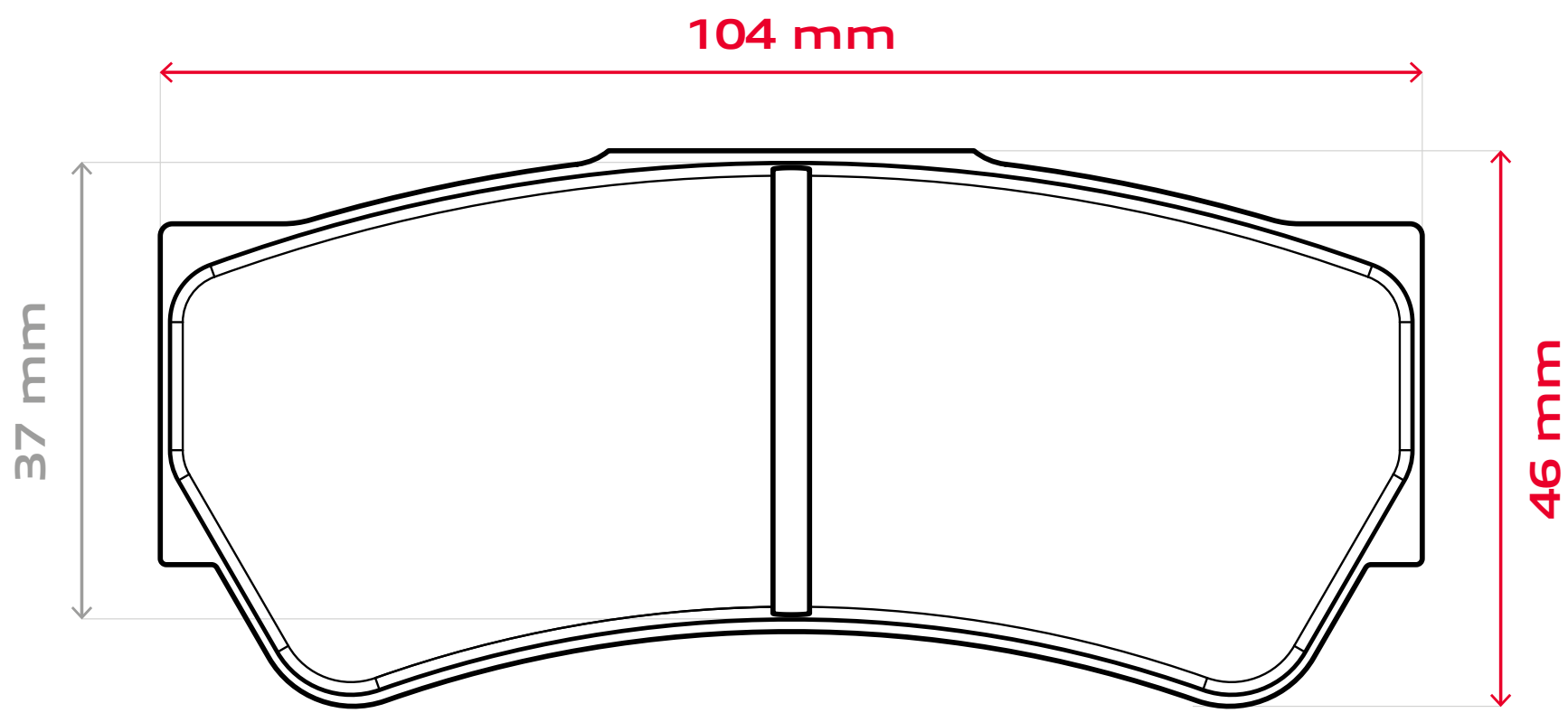
PAD SHAPE	PAD THICKNESS	COMPOUND	KIT P/N	P/N FOR ORDERS
B55	26	RB-170	B55.26.170	107.A470.07
B55	28	RB-340	B55.28.340	147.A469.69
B55	30	RB-340	B55.30.340	147.A469.67
B60	25	RB-360	B60.25.360	147.A469.E9
B60	28	RB-340	B60.28.340	147.A469.G9
B60	30	RB-340	B60.30.340	147.A469.E0
B60	30	RB-350	B60.30.350	147.A469.E4
B60	30	RB-360	B60.30.360	147.A469.G1
B62	15	RB-170	B62.15.170	107.A470.08
B65	17	RB-170	B65.17.170	107.A470.13
B70	30	RB-340	B70.30.340	147.A469.D9
B71	22	RB-340	B71.22.340	147.A469.E5
B71	28	RB-340	B71.28.340	147.A469.E6
B72	20	RB-340	B72.20.340	147.A469.E7
B72	26	RB-340	B72.26.340	147.A469.E8
B73	32,3	RB-340	B73.32.340	147.A469.H4

PAD DRAWING



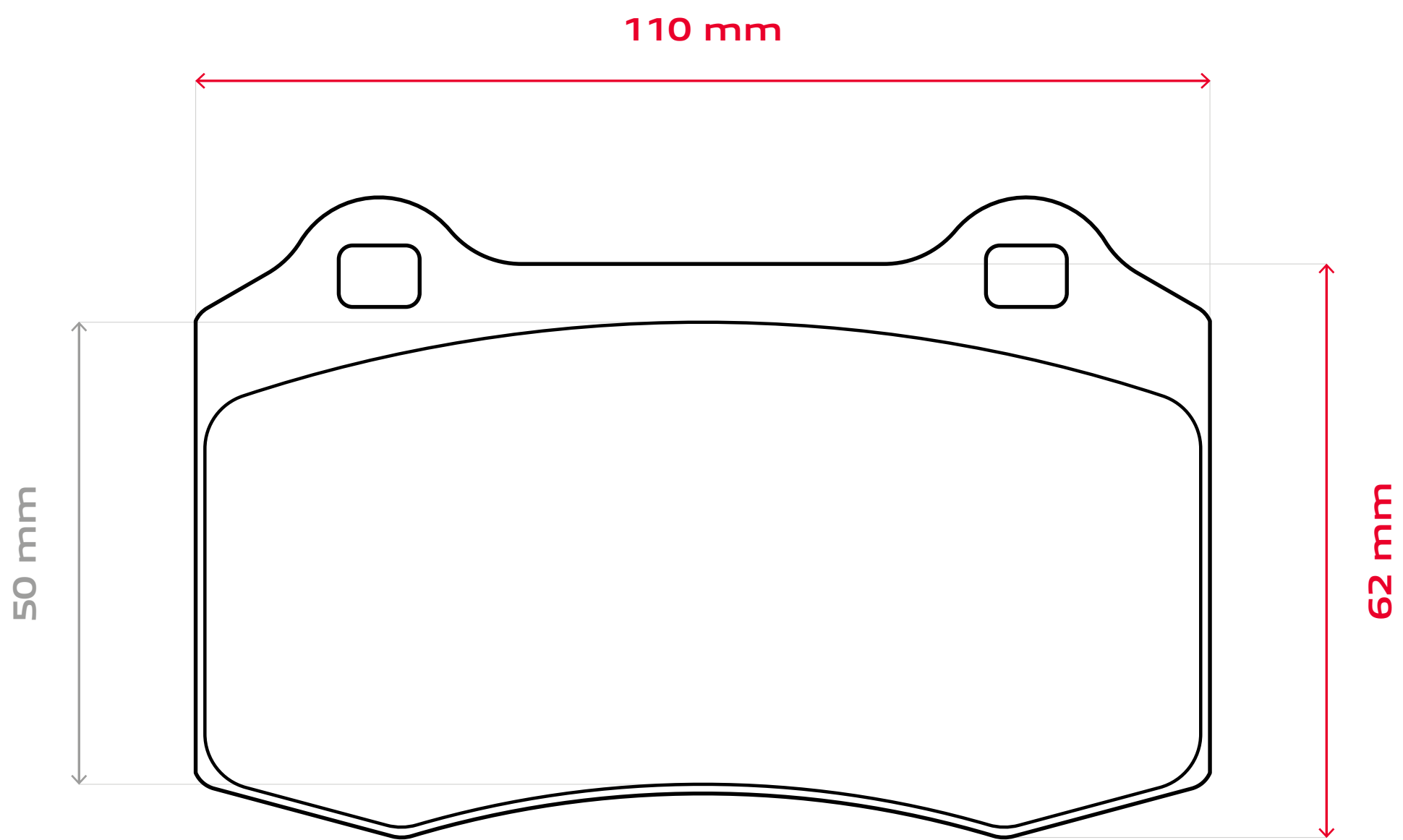
PAD SHAPE	B09	RB - AVAILABLE COMPOUND	170	210	330	340	350	360
			●					
PAD SURFACE	36cm ²	PAD THICKNESS	20mm			PAD ANNULUS	42mm	

PAD DRAWING



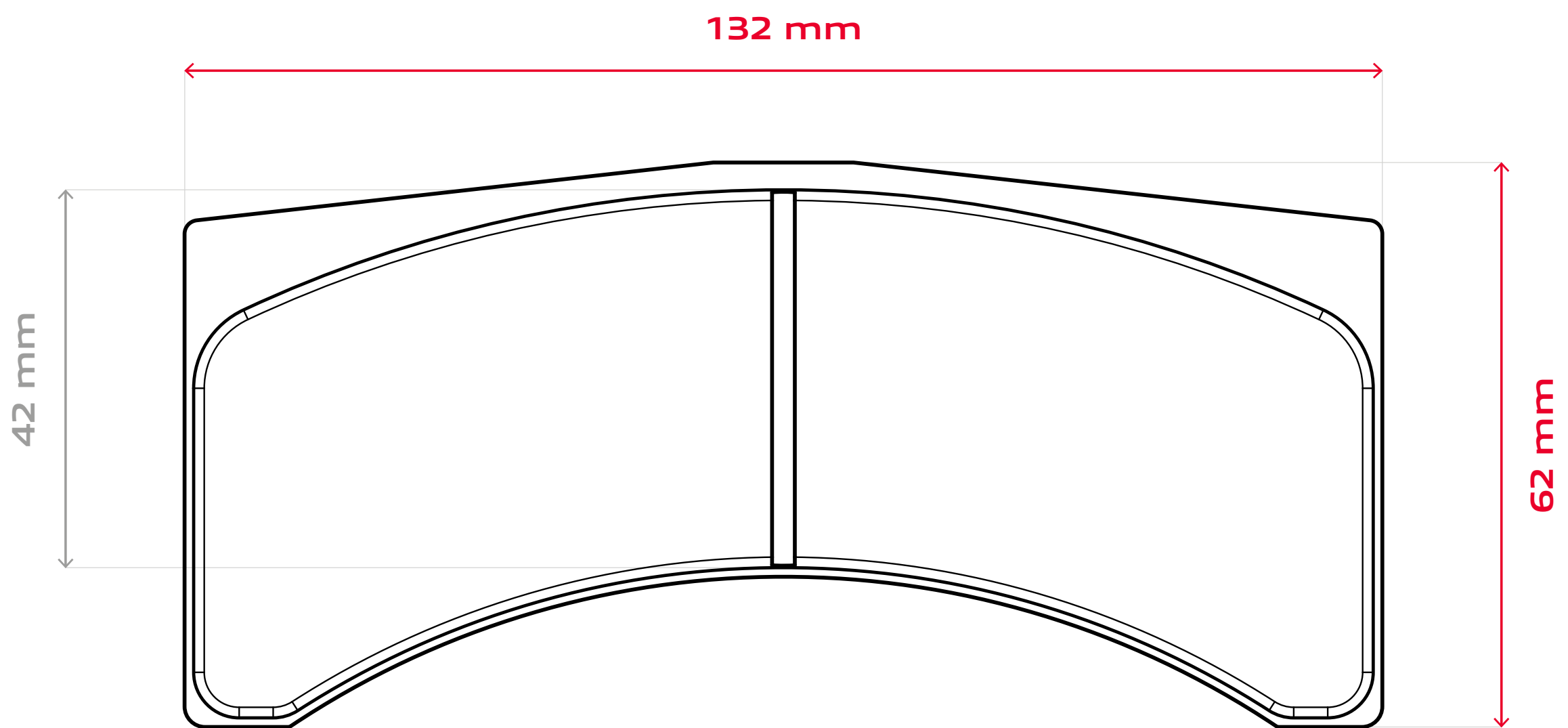
PAD SHAPE	B10	RB - AVAILABLE COMPOUND	170	210	330	340	350	360
			●					
PAD SURFACE	36cm ²	PAD THICKNESS	16mm			PAD ANNULUS	37mm	

PAD DRAWING



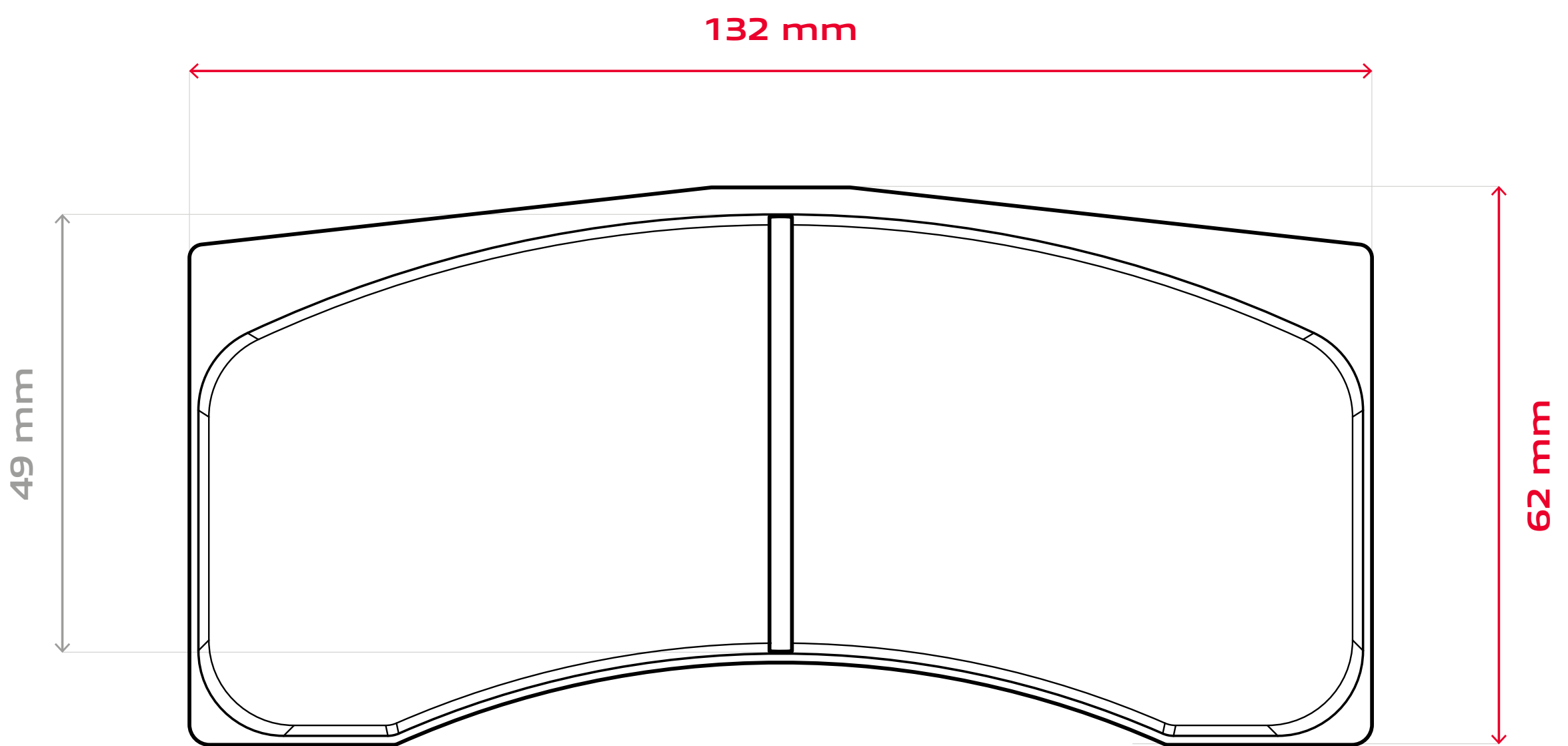
PAD SHAPE	B11	RB - AVAILABLE COMPOUND	170	210	330	340	350	360
			●					
PAD SURFACE	54cm ²	PAD THICKNESS	14mm			PAD ANNULUS	50mm	

PAD DRAWING



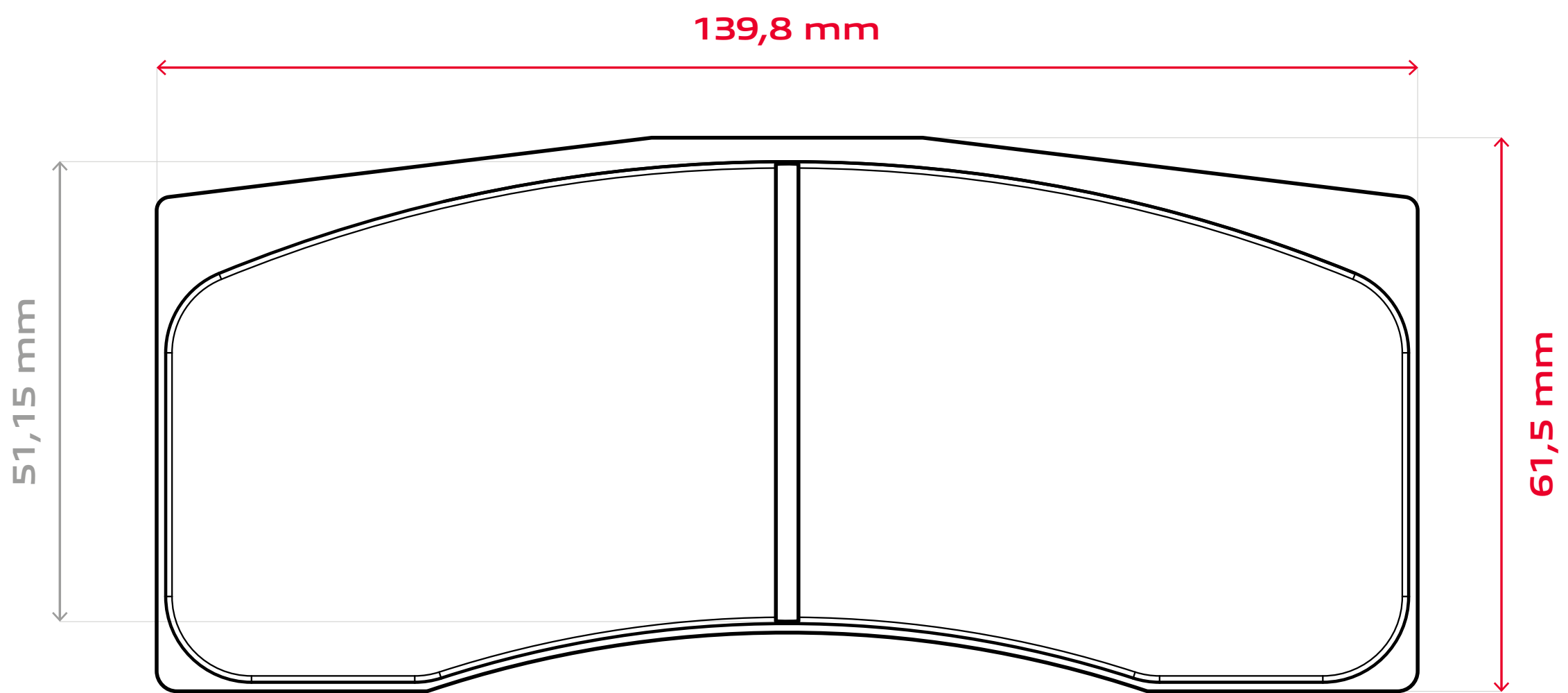
PAD SHAPE	B12	RB - AVAILABLE COMPOUND	170	210	330	340	350	360
					●	●		●
PAD SURFACE	56cm ²	PAD THICKNESS	18mm, 25mm		PAD ANNULUS	42mm		

PAD DRAWING



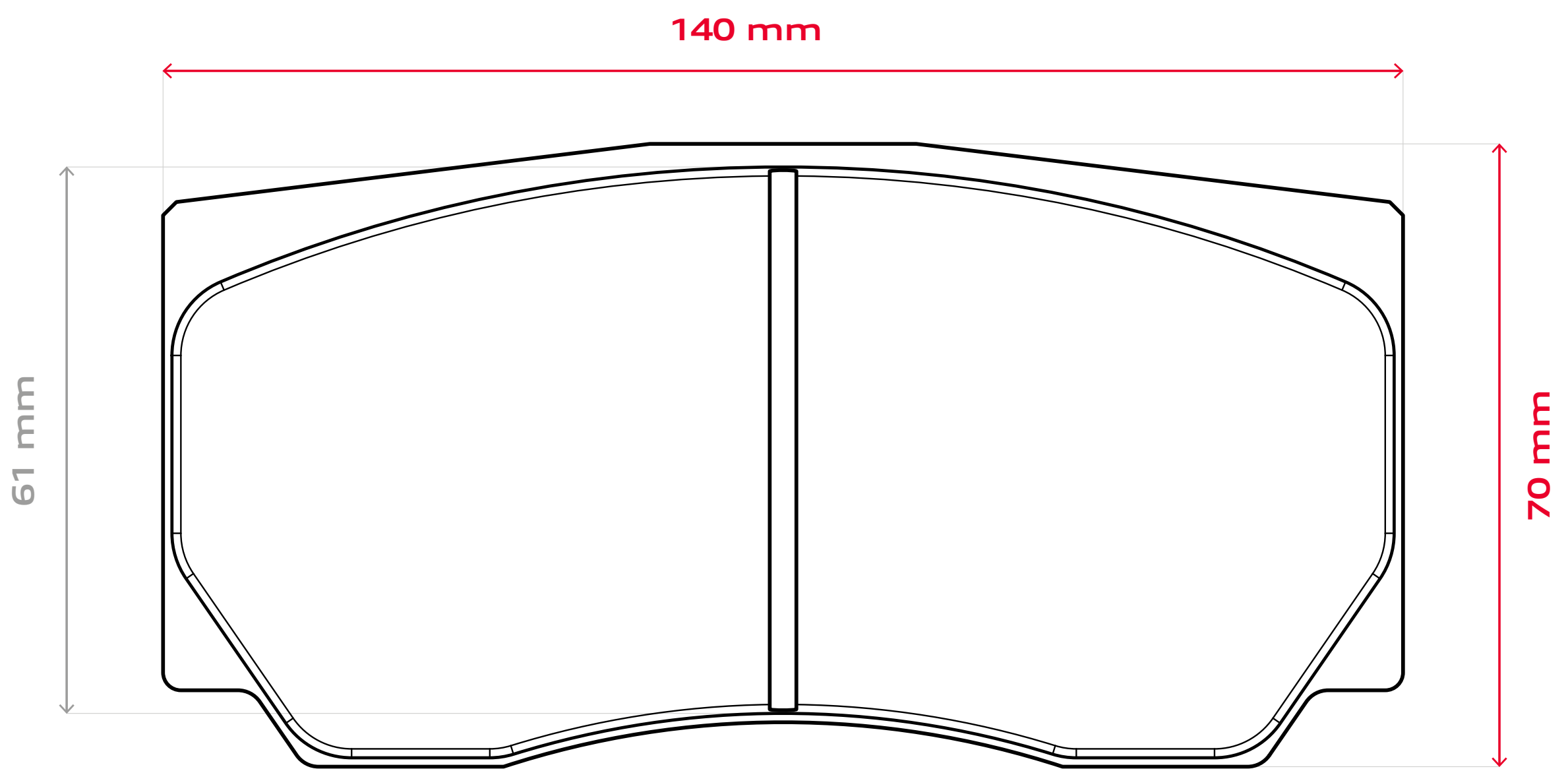
PAD SHAPE	B13	RB - AVAILABLE COMPOUND	170	210	330	340	350	360
			●	●	●	●	●	●
PAD SURFACE	63cm ²	PAD THICKNESS	16mm, 20mm, 22mm, 25mm, 26mm, 27mm			PAD ANNULUS	49mm	

PAD DRAWING



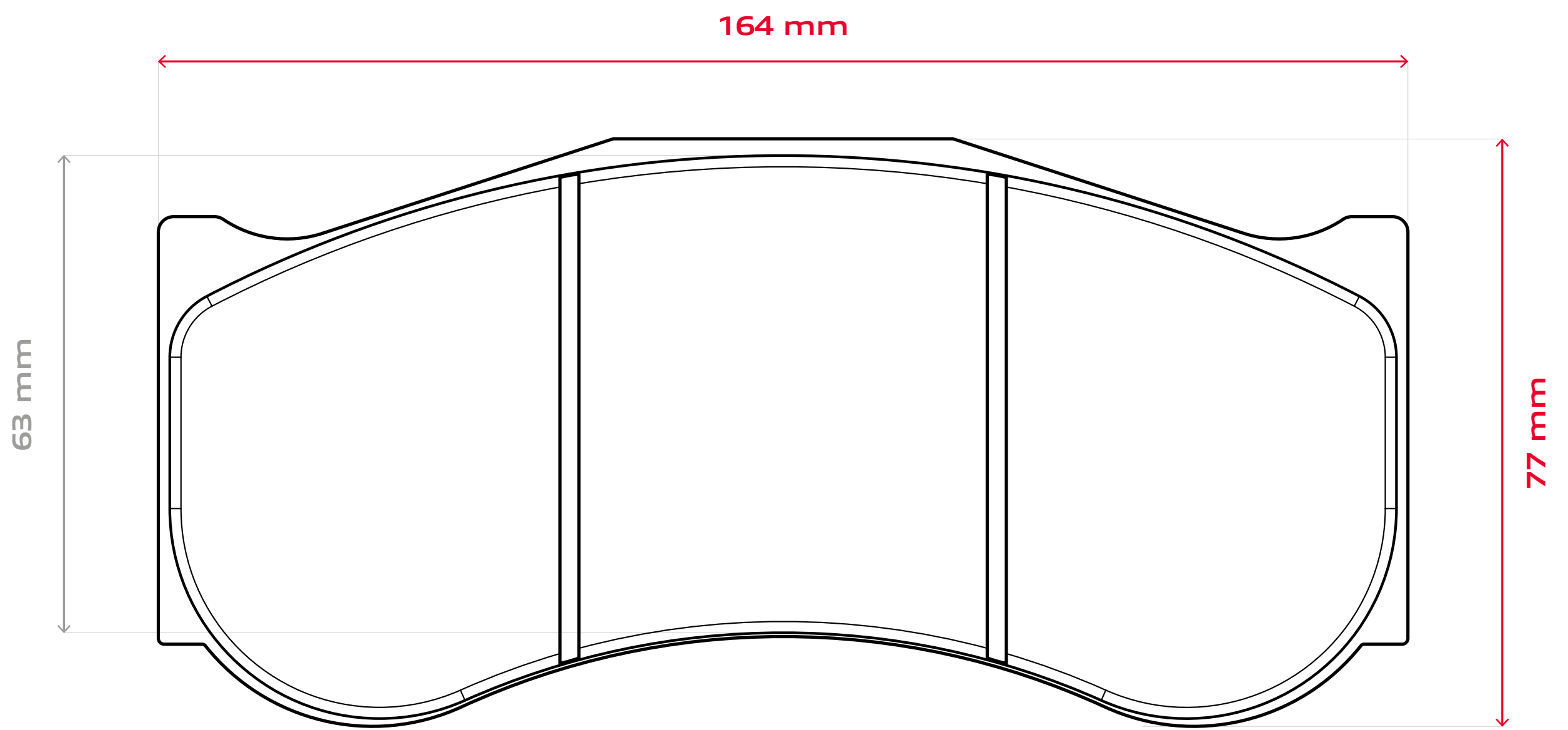
PAD SHAPE	B18W	RB - AVAILABLE COMPOUND	170	210	330	340	350	360
					●	●	●	●
PAD SURFACE	68cm ²	PAD THICKNESS	16mm, 25mm, 26mm			PAD ANNULUS	51,15mm	

PAD DRAWING



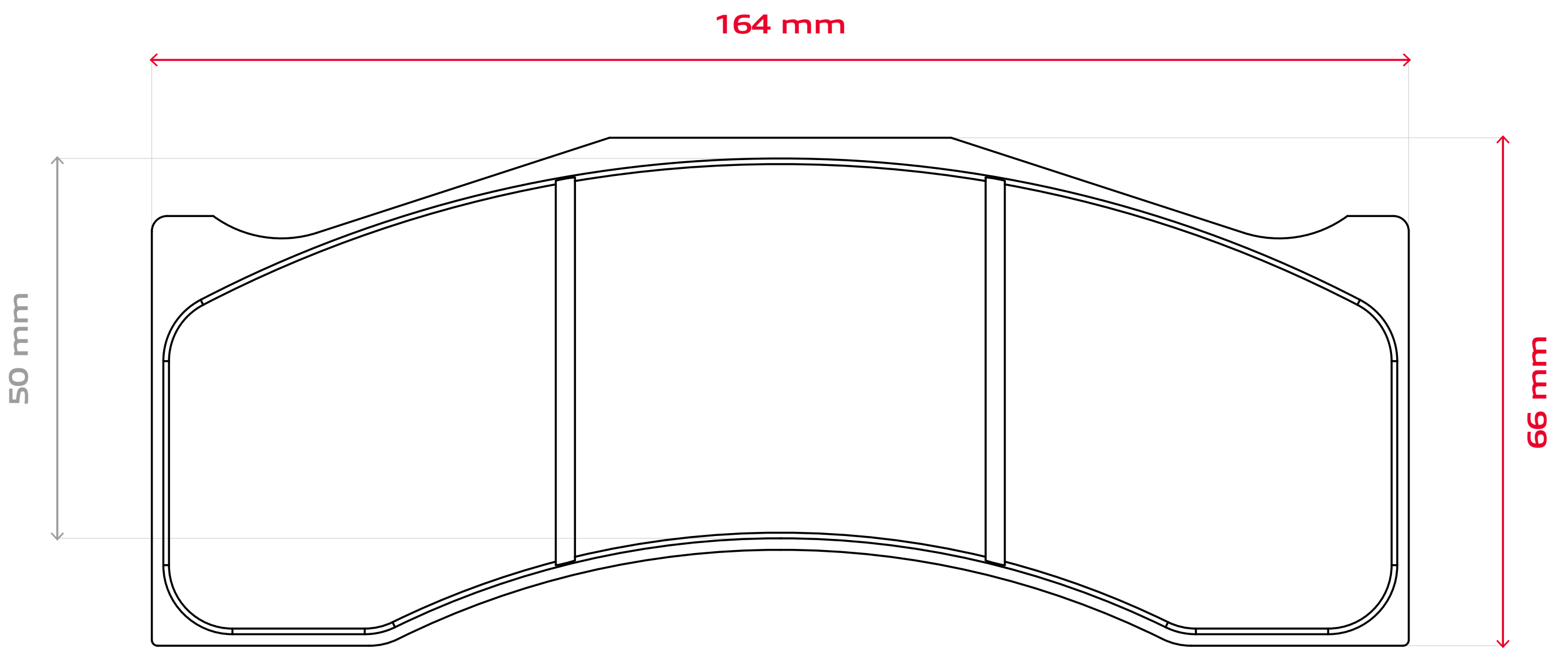
PAD SHAPE	B19	RB - AVAILABLE COMPOUND	170	210	330	340	350	360
			●					
PAD SURFACE	77cm ²	PAD THICKNESS	17mm	PAD ANNULUS		61mm		

PAD DRAWING



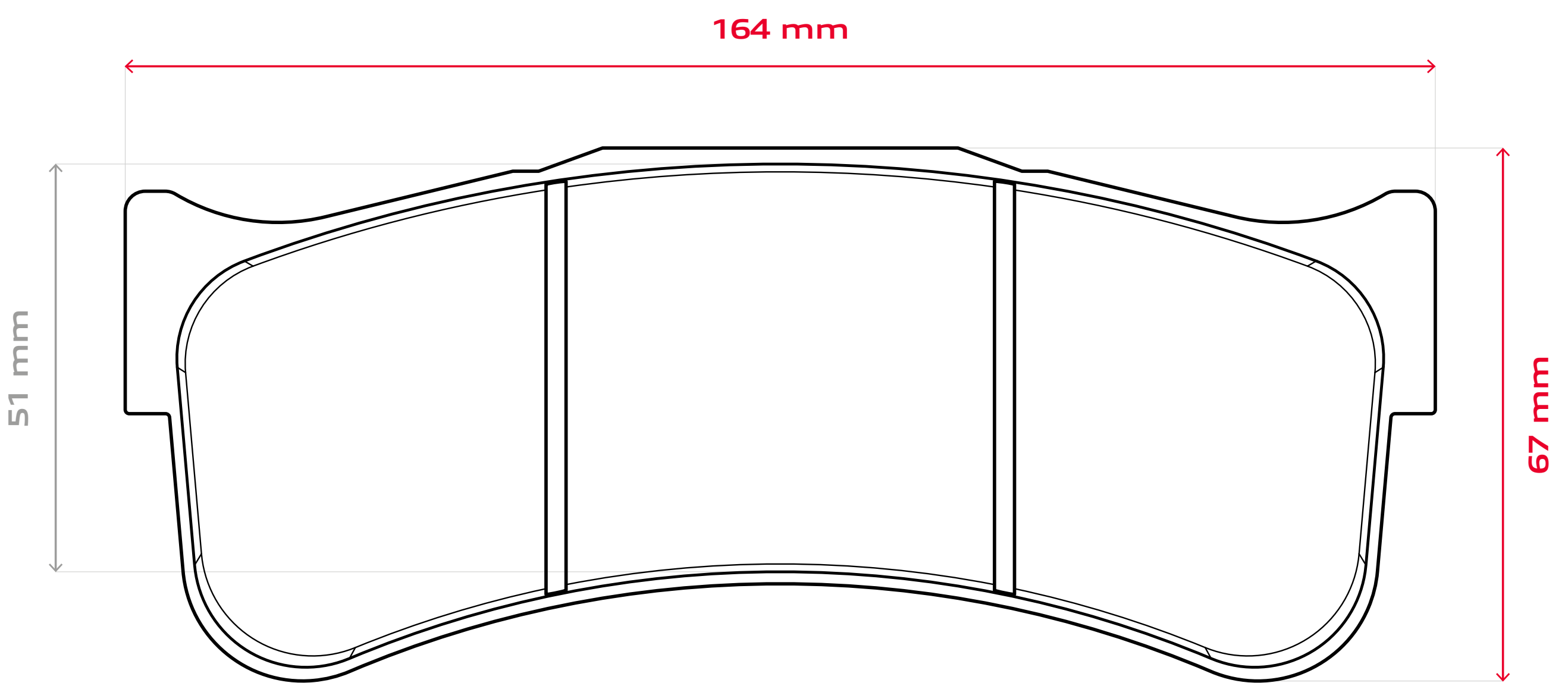
PAD SHAPE	B21	RB - AVAILABLE COMPOUND	170	210	330	340	350	360
					●	●		●
PAD SURFACE	97cm ²	PAD THICKNESS	30mm			PAD ANNULUS	63mm	

PAD DRAWING



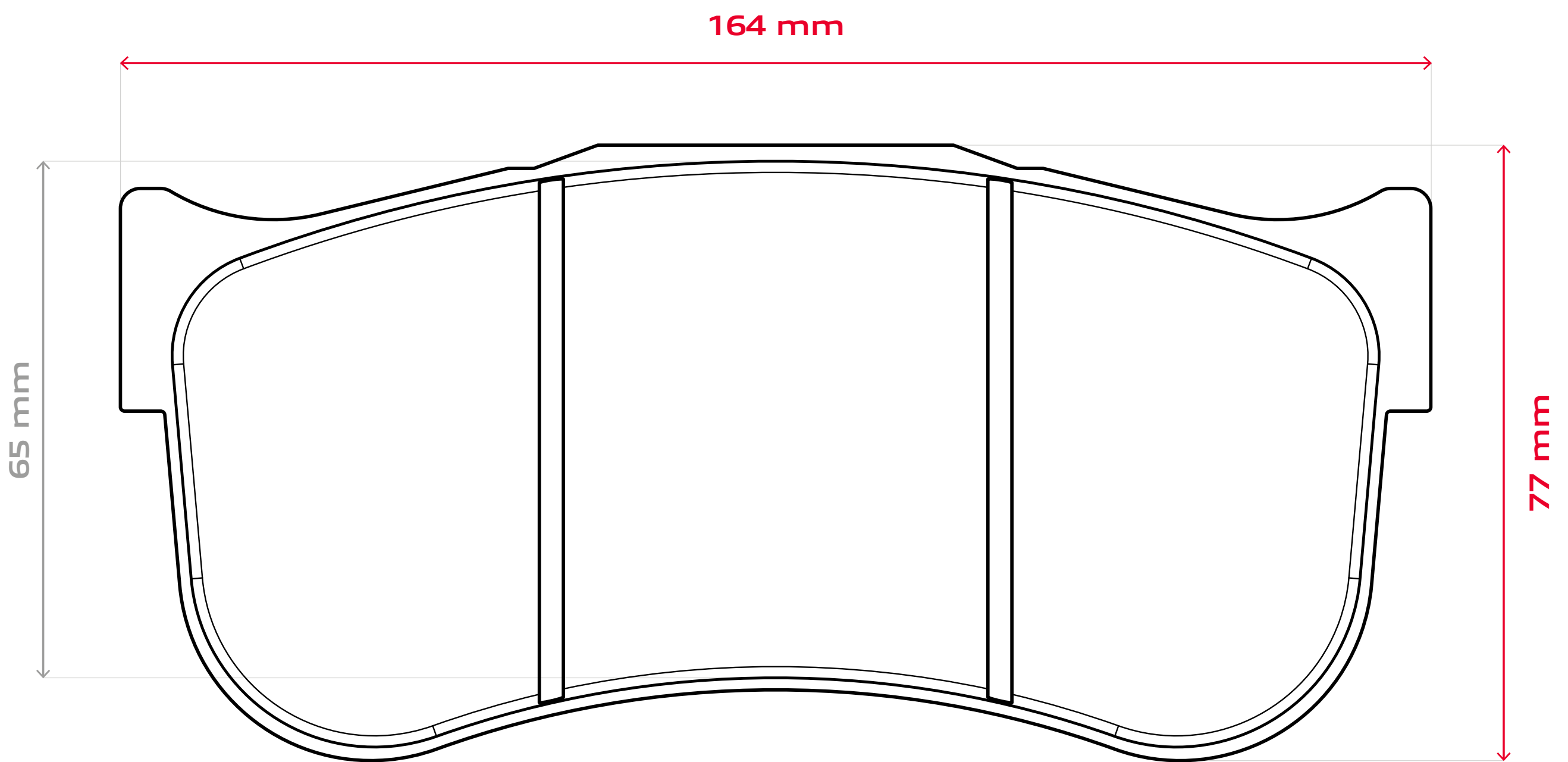
PAD SHAPE	B22	RB - AVAILABLE COMPOUND	170	210	330	340	350	360
					●	●	●	●
PAD SURFACE	79cm ²	PAD THICKNESS	18mm, 30mm		PAD ANNULUS	50mm		

PAD DRAWING



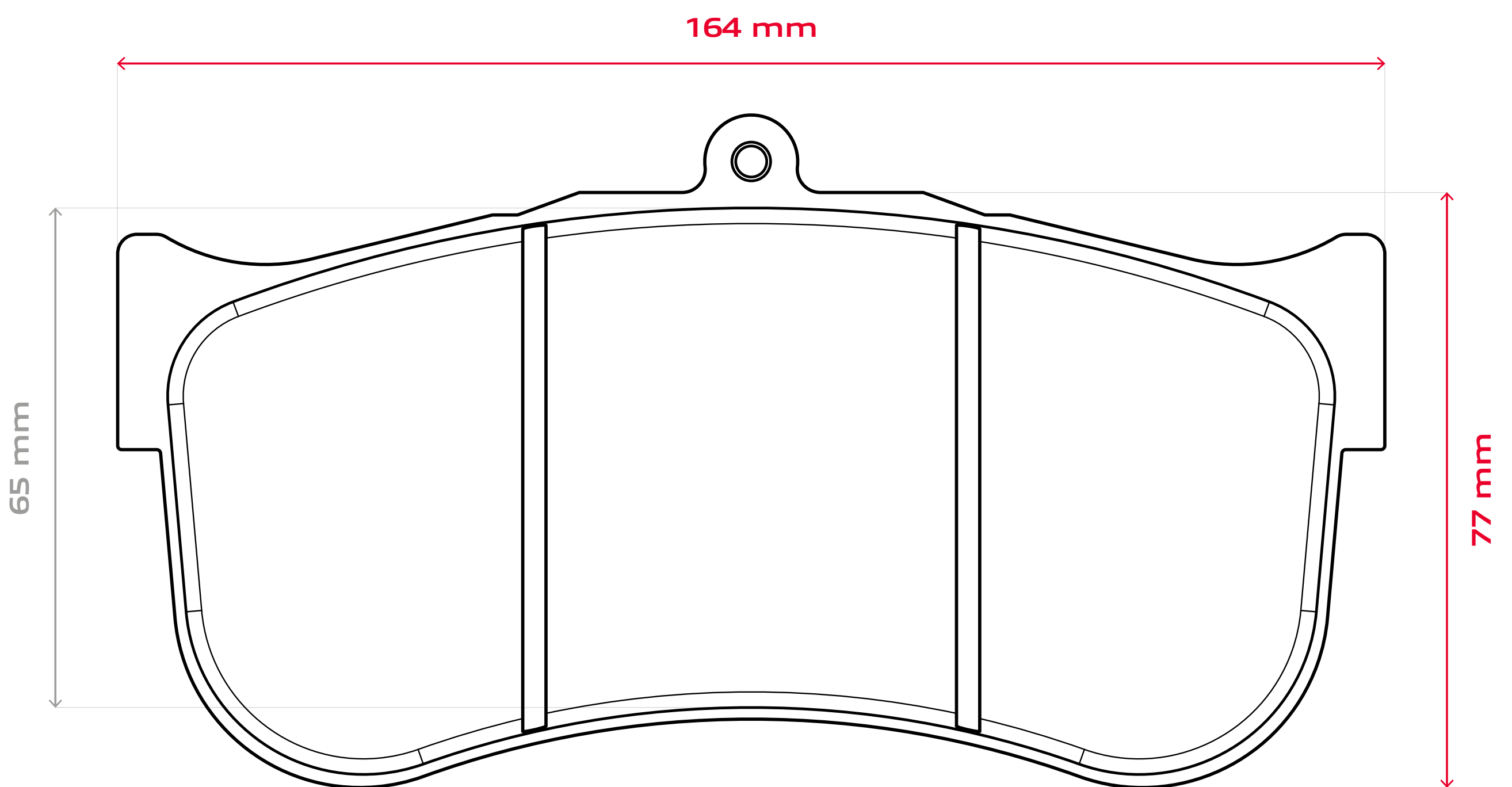
PAD SHAPE	B24	RB - AVAILABLE COMPOUND	170	210	330	340	350	360
					●	●	●	●
PAD SURFACE	72cm ²	PAD THICKNESS	22mm, 25mm, 29mm			PAD ANNULUS	51mm	

PAD DRAWING



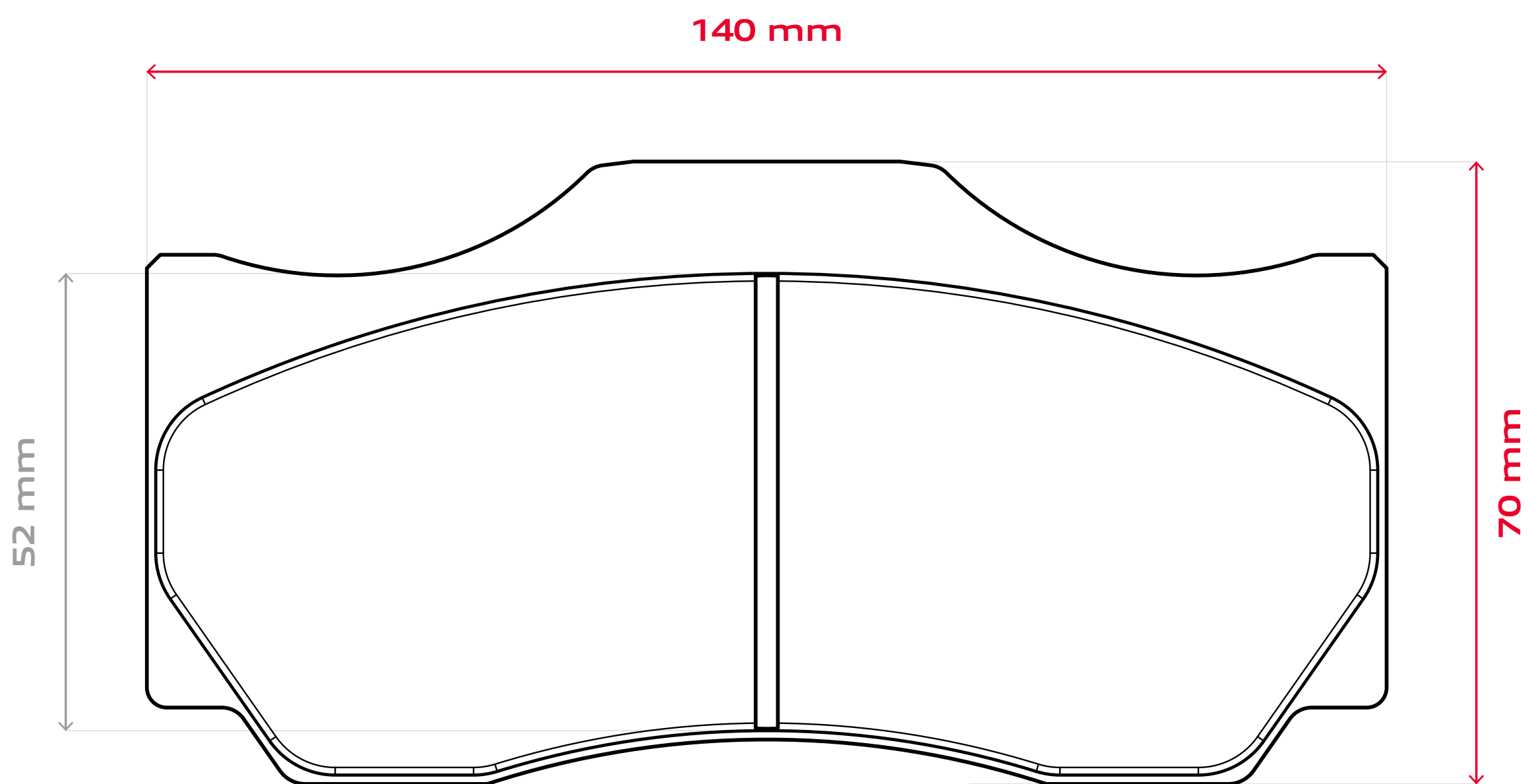
PAD SHAPE	B28	RB - AVAILABLE COMPOUND	170	210	330	340	350	360
					●	●	●	●
PAD SURFACE	83cm ²	PAD THICKNESS	25mm, 29mm, 30mm			PAD ANNULUS	65mm	

PAD DRAWING



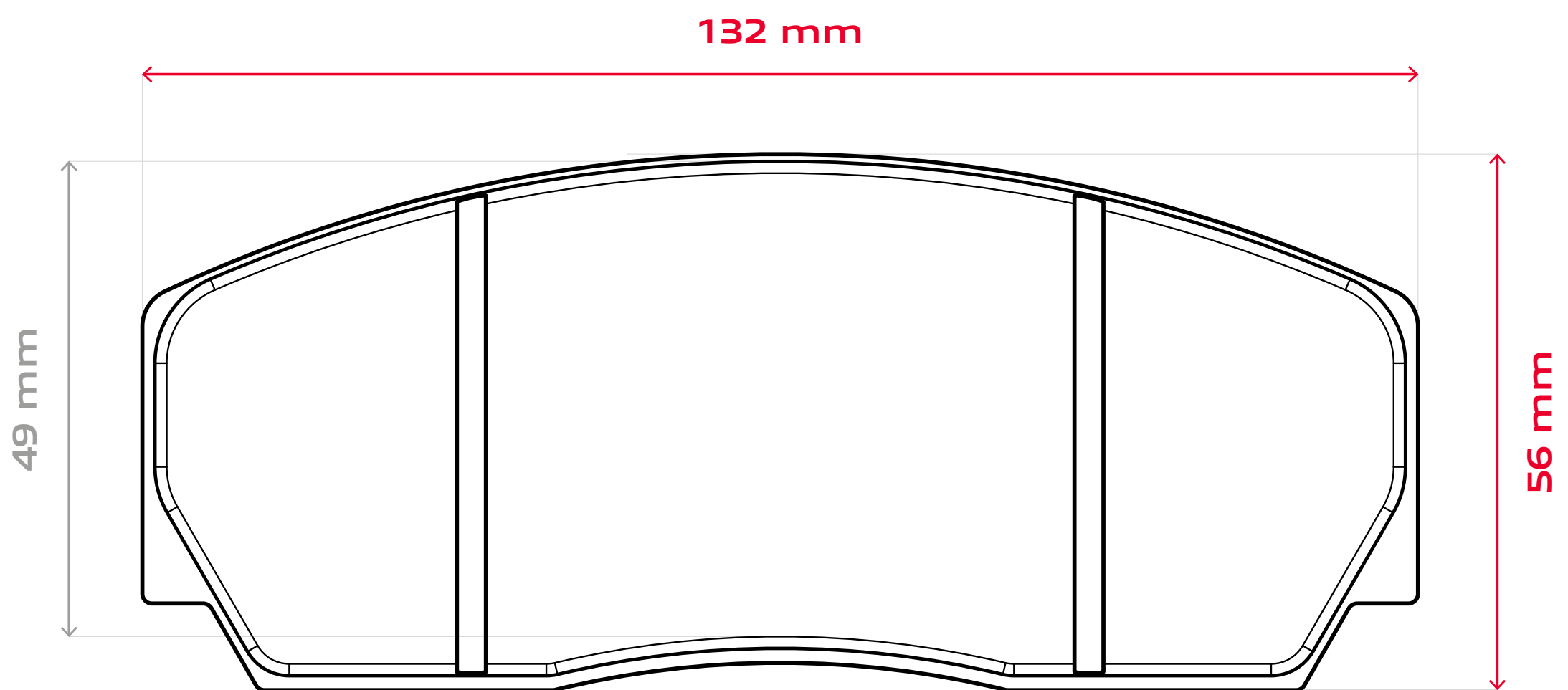
PAD SHAPE	B29	RB - AVAILABLE COMPOUND	170	210	330	340	350	360
						●		
PAD SURFACE	83cm ²	PAD THICKNESS	25mm, 29mm		PAD ANNULUS	65mm		

PAD DRAWING



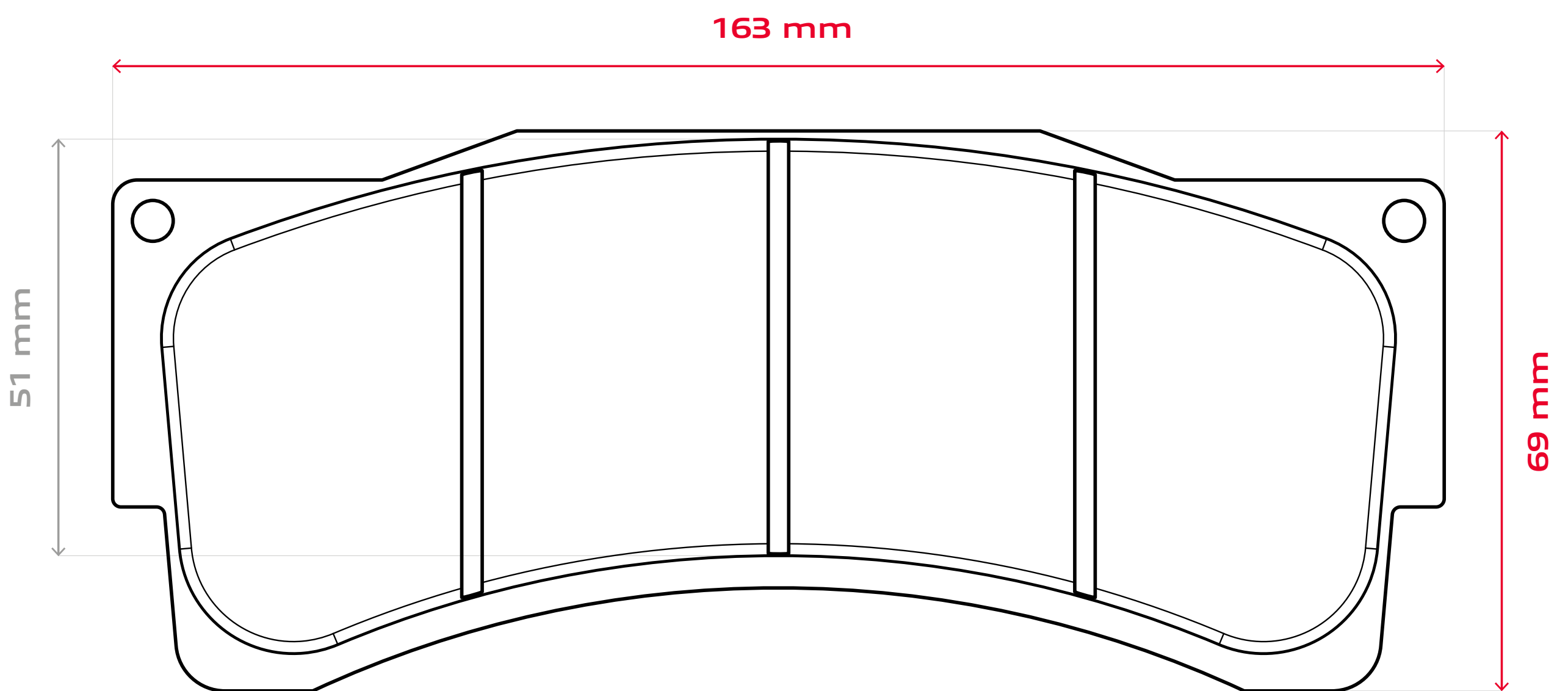
PAD SHAPE	B30	RB - AVAILABLE COMPOUND	170	210	330	340	350	360
					●	●		
PAD SURFACE	63cm ²	PAD THICKNESS	20mm, 26mm		PAD ANNULUS	52mm		

PAD DRAWING



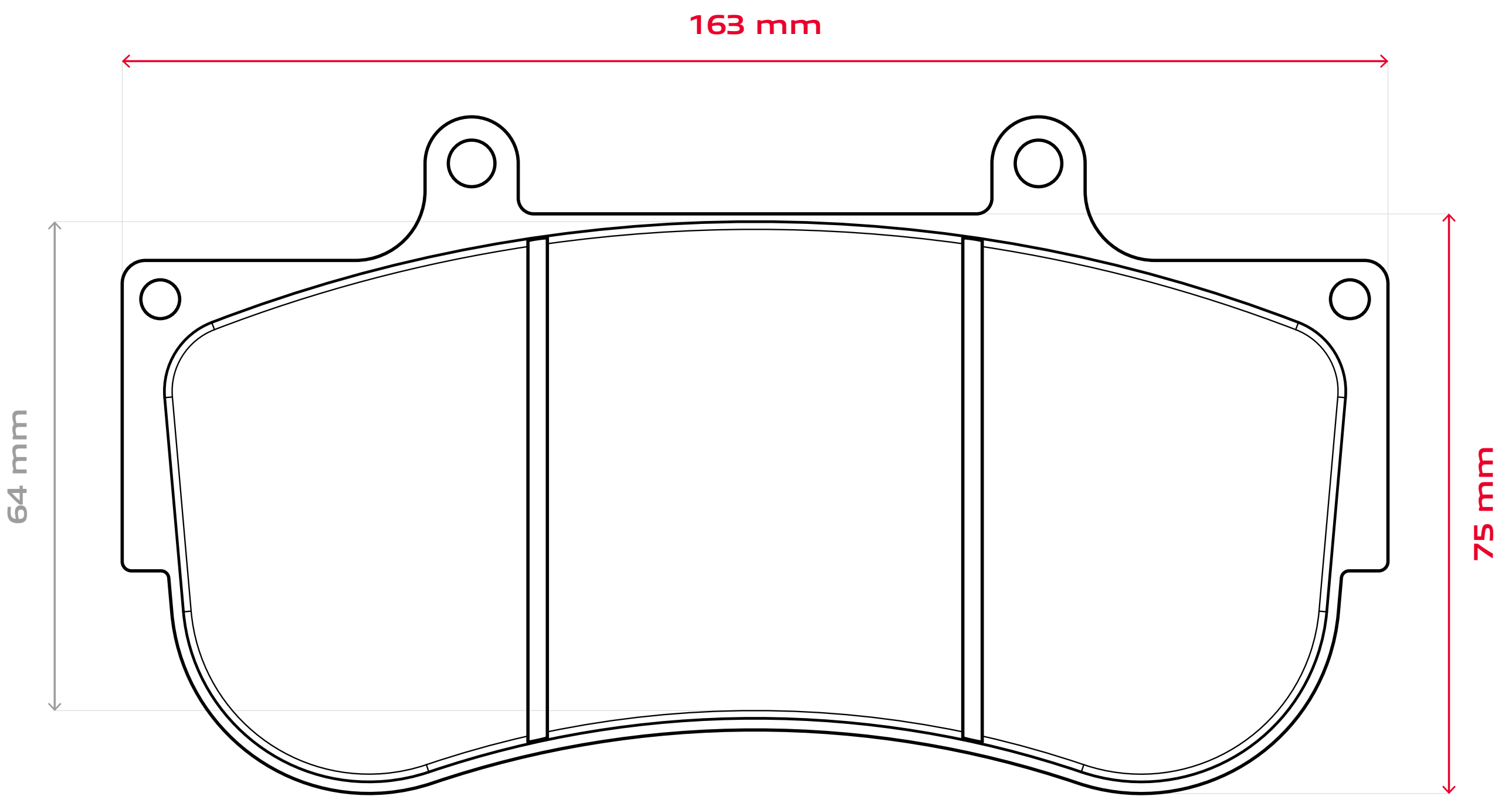
PAD SHAPE	B52	RB - AVAILABLE COMPOUND	170	210	330	340	350	360
					●	●		●
PAD SURFACE	59cm ²	PAD THICKNESS	17mm, 20mm		PAD ANNULUS	49mm		

PAD DRAWING



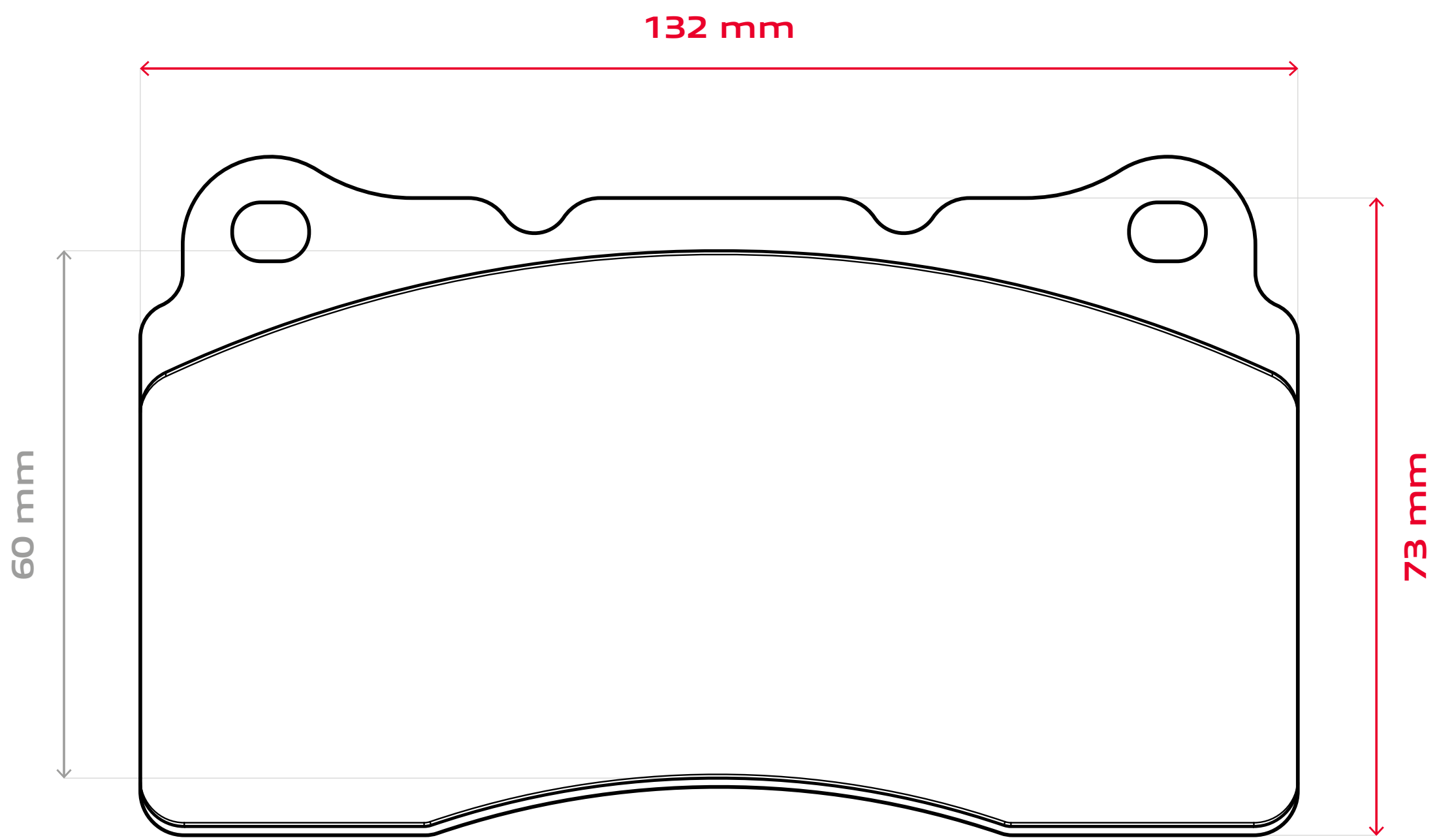
PAD SHAPE	B55	RB - AVAILABLE COMPOUND	170	210	330	340	350	360
			●			●		
PAD SURFACE	76cm ²	PAD THICKNESS	25mm, 26mm, 28mm, 30mm			PAD ANNULUS	51mm	

PAD DRAWING



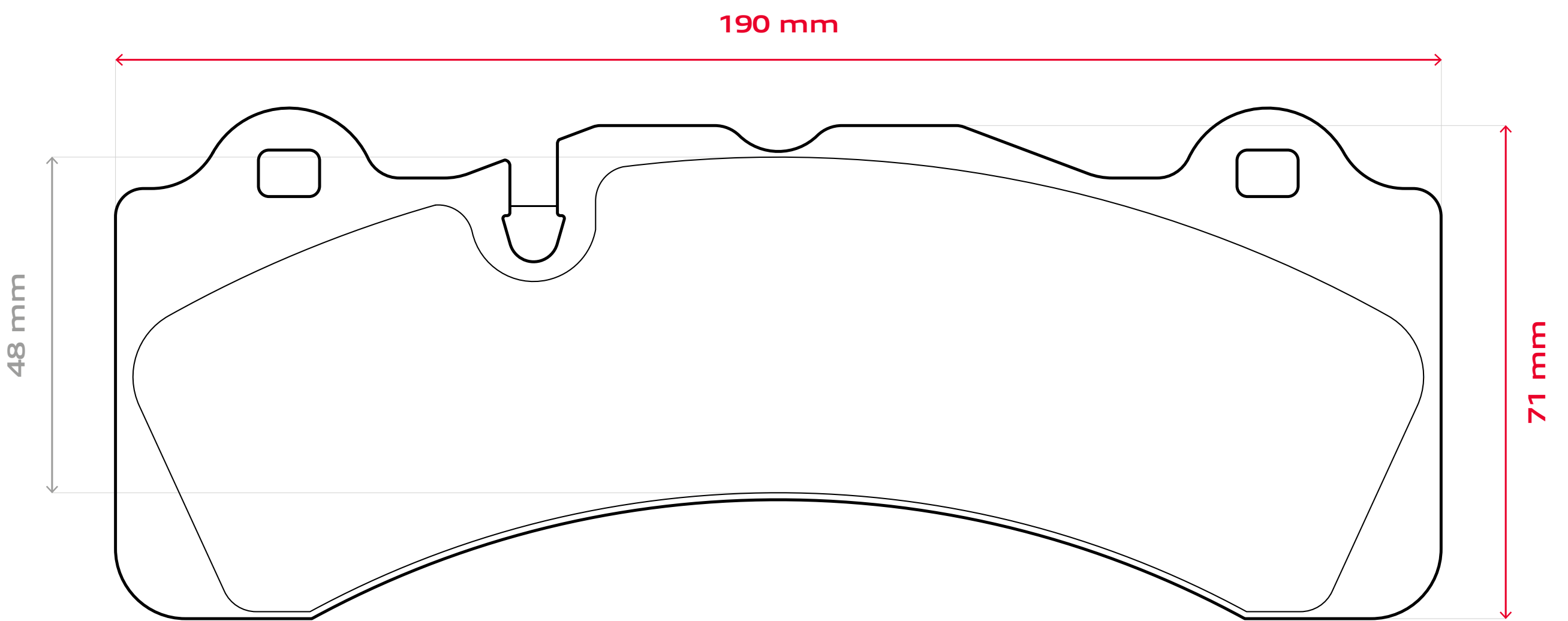
PAD SHAPE	B60	RB - AVAILABLE COMPOUND	170	210	330	340	350	360
						●	●	●
PAD SURFACE	93cm ²	PAD THICKNESS	25mm, 28mm, 30mm			PAD ANNULUS	64mm	

PAD DRAWING



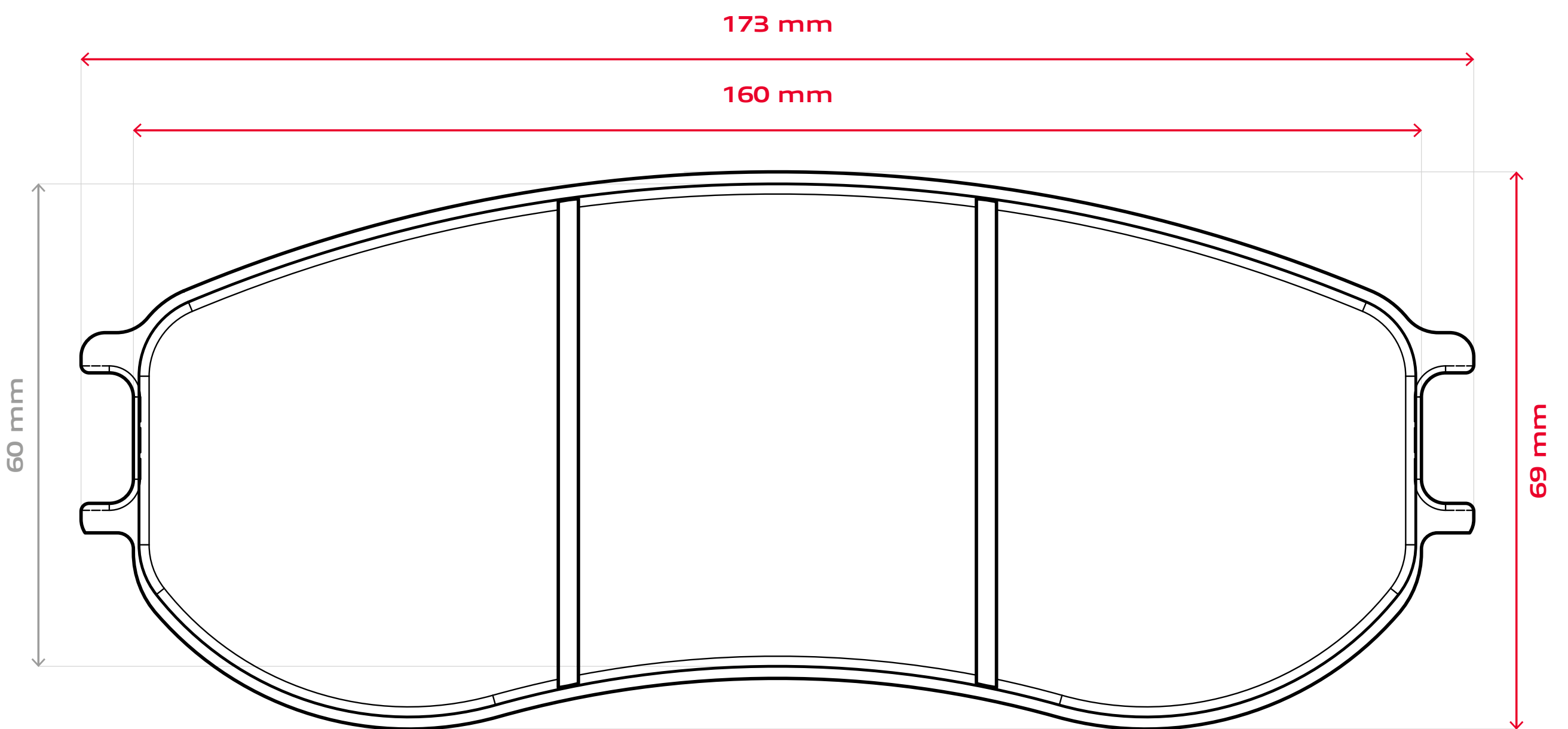
PAD SHAPE	B62	RB - AVAILABLE COMPOUND	170	210	330	340	350	360
			●					
PAD SURFACE	76cm ²	PAD THICKNESS	15mm	PAD ANNULUS		60mm		

PAD DRAWING



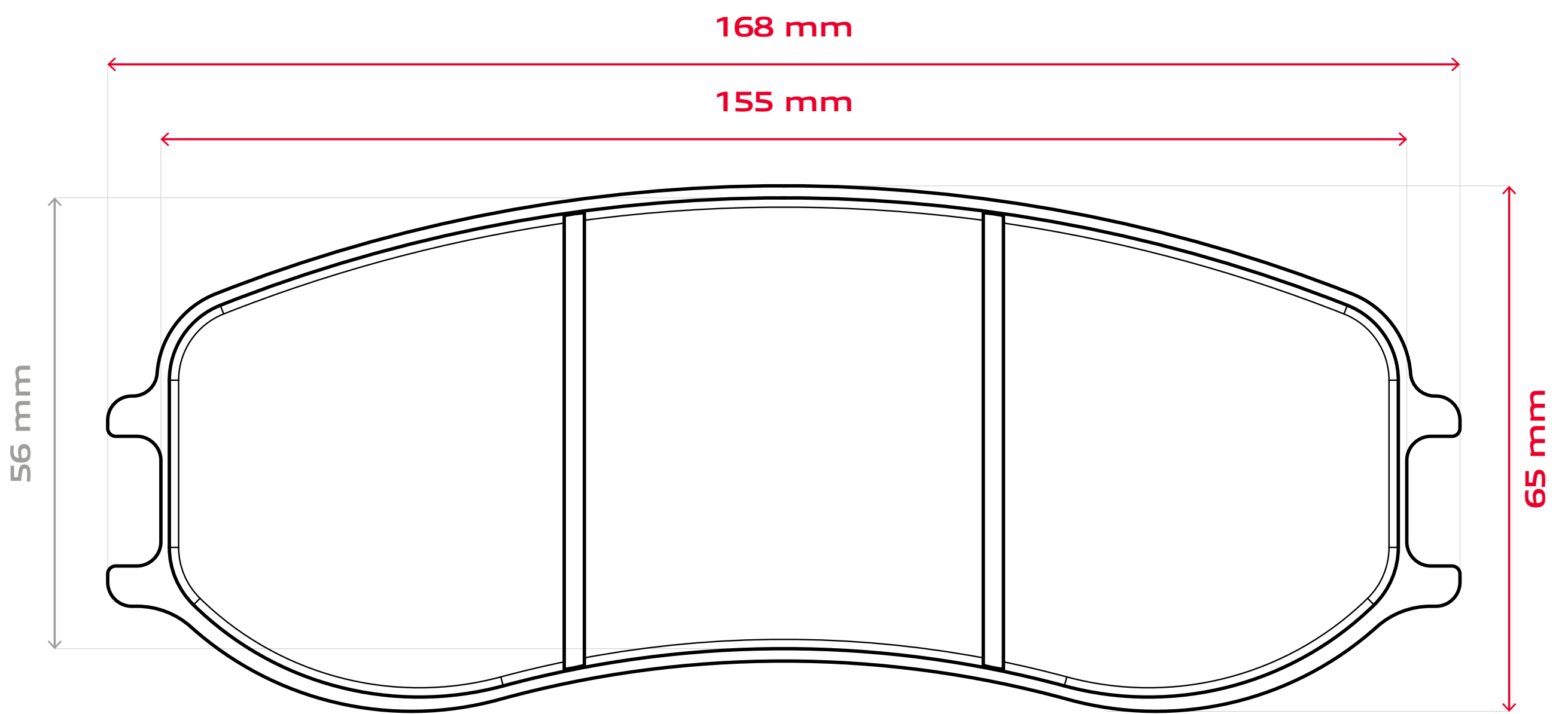
PAD SHAPE	B65	RB - AVAILABLE COMPOUND	170	210	330	340	350	360
			●					
PAD SURFACE	81cm ²	PAD THICKNESS	17mm	PAD ANNULUS		48mm		

PAD DRAWING



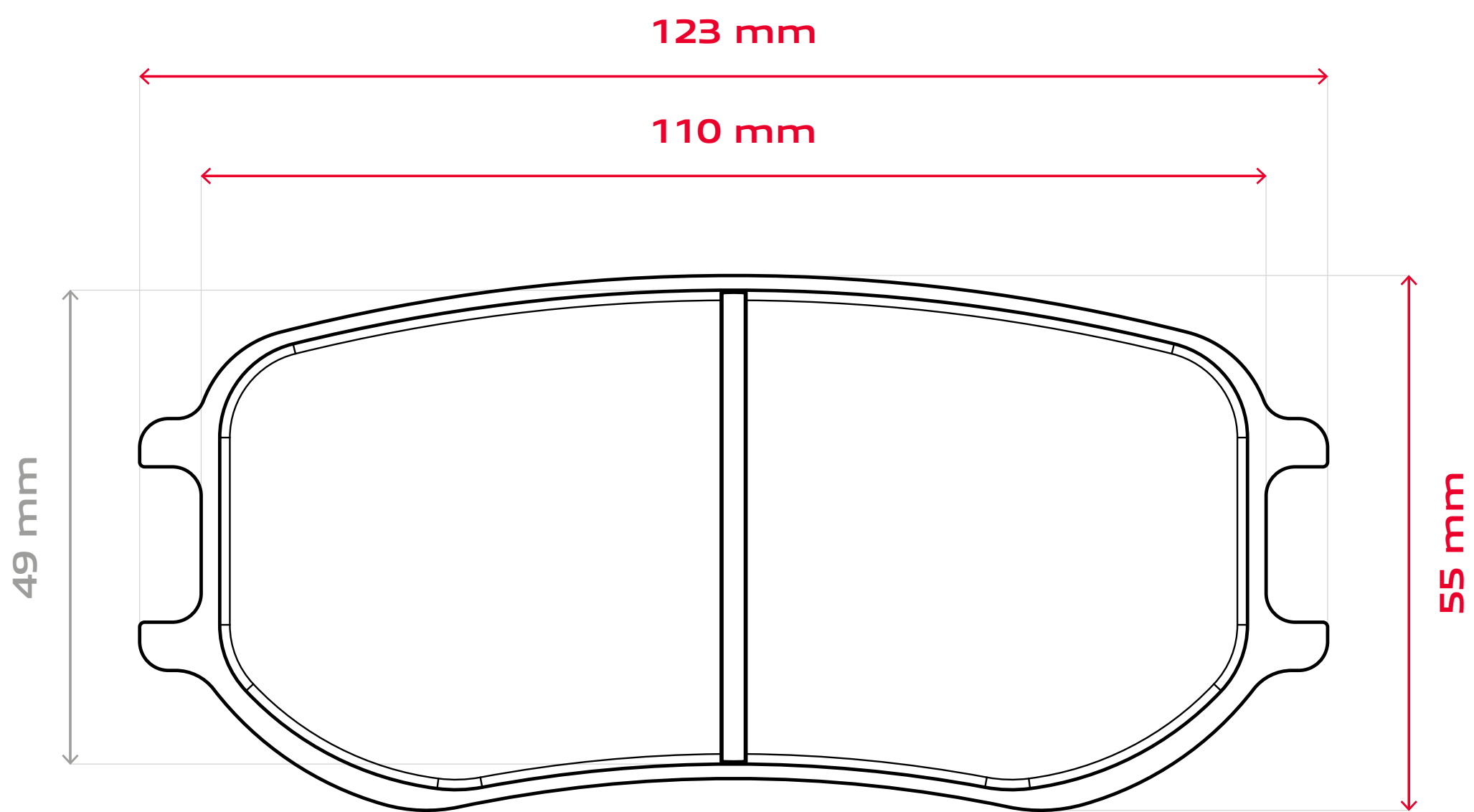
PAD SHAPE	B70	RB - AVAILABLE COMPOUND	170	210	330	340	350	360
						●		
PAD SURFACE	87cm ²	PAD THICKNESS	30mm			PAD ANNULUS	60mm	

PAD DRAWING



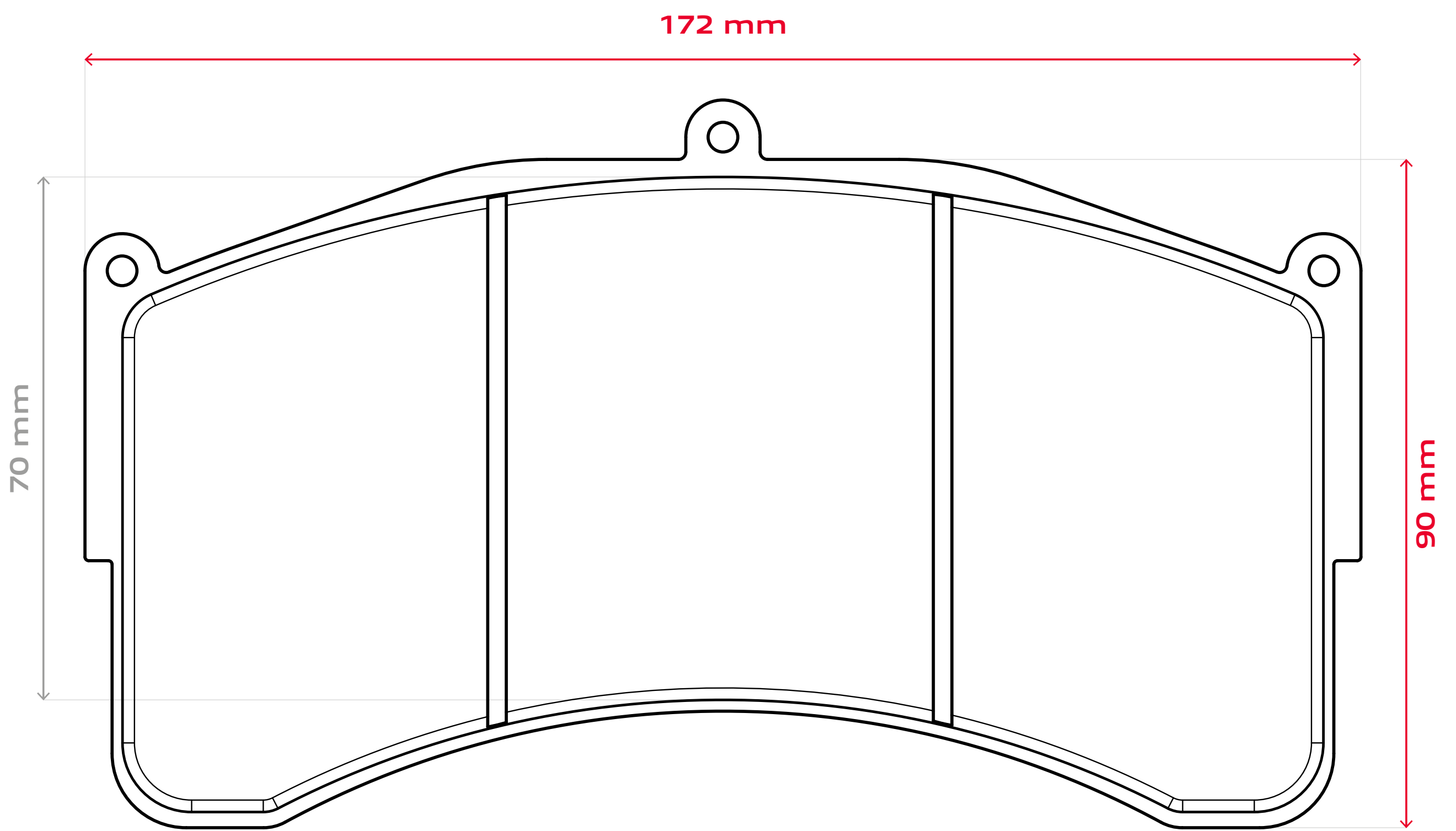
PAD SHAPE	B71	RB - AVAILABLE COMPOUND	170	210	330	340	350	360
						●		
PAD SURFACE	76cm ²	PAD THICKNESS	22mm, 28mm		PAD ANNULUS	56mm		

PAD DRAWING



PAD SHAPE	B72	RB - AVAILABLE COMPOUND	170	210	330	340	350	360
						●		
PAD SURFACE	48cm ²	PAD THICKNESS	20mm, 26mm		PAD ANNULUS	49mm		

PAD DRAWING



PAD SHAPE	B73	RB - AVAILABLE COMPOUND	170	210	330	340	350	360
						●		
PAD SURFACE	116cm ²	PAD THICKNESS	32mm			PAD ANNULUS	70mm	

PAD/CALIPER CROSS-REFERENCE

CALIPER P/N	PAD SHAPE	USABLE PAD THICKNESS	PAD MINIMUM THICKNESS (WORN)
20E24401/02	B52	≤16,75mm	6,5mm
20E24403/04	B52	≤16,75mm	6,5mm
20E24407/08	B52	≤16,75mm	6,5mm
XA13711/12	B12	18mm	8mm
XA2E6A3/A4	B13	16mm	8mm
XA2E703/04	B13	25mm; 26,5mm	8mm
XA2E713/14	B13	25mm; 26,5mm	8mm
XA3A443/44	B09	20mm	7mm
XA3G211/12	B09	20mm	7mm
XA4C613/14	B18W; B19	≤30mm	8mm
XA4D301/02	B18W	25mm	8mm
XA4F101/02	B24	29mm	8mm
XA5C201/02	B24	22mm 25mm	9mm 12mm
XA5T001/02	B18W; B19	17,5mm	8mm
XA5T003/04	B18W; B19	17,5mm	8mm
XA5T031/32	B18W; B19	17,5mm	8mm
XA5T033/34	B18W; B19	17,5mm	8mm
XA5T041/42	B18W; B19	17,5mm	8mm
XA5T043/44	B18W; B19	17,5mm	8mm
XA5T101/02	B22	18mm	8mm
XA66101/02	B24	25mm; 26,5mm	8mm
XA66121/22	B24	25mm; 26,5mm	8mm
XA66171/72	B24	25mm; 26,5mm	8mm
XA6S001/02	B10	16mm	6mm
XA6S003/04	B10	16mm	6mm
XA6S021/22	B10	16mm	6mm
XA6S023/24	B10	16mm	6mm
XA74613/14	B12; B13	≤25mm	8mm
XA7G011/12	B09	20mm	7mm

PAD/CALIPER CROSS-REFERENCE

CALIPER P/N	PAD SHAPE	USABLE PAD THICKNESS	PAD MINIMUM THICKNESS (WORN)
XA7G113/14	B09	20mm	7mm
XA83013/14	B13	26,5mm	8mm
XA83111/12	B24	29mm	8mm
XA83131/32	B24	29mm	8mm
XA83151/52	B24	29mm	8mm
XA83161/62	B24	29mm	8mm
XA8H713/14	B09	≤22mm	7mm
XA8N403/04	B21; B22; B23	≤32mm	8mm
XA8Z401/02	B22	18mm	8mm
XA95823/24	B12; B13	25mm	8mm
XA95833/34	B12; B13	25mm	8mm
XA9K601/02	B10	≤16mm	6mm
XA9K603/04	B10	≤16mm	6mm
XA9Y653/54	B18W	17,5mm	8mm
XB0F213/14	B21; B22; B23	31mm;32mm	8mm
XB0F313/14	B18W; B19	30mm;32mm	8mm
XB0L213/14	B13	26,5mm	8mm
XB0L253/54	B13	26,5mm	8mm
XB10501/02	B16; B18W	≤25mm; ≤26,5mm	8mm
XB10511/12	B16; B18W	≤25mm; ≤26,5mm	8mm
XB15773/74	B13	22mm	8mm
XB1E701/02	B18W; B19	≤20mm	8mm
XB1E703/04	B18W; B19	≤20mm	8mm
XB1E711/12	B18W; B19	≤20mm	8mm
XB1E713/14	B18W; B19	≤20mm	8mm
XB1E721/22	B18W; B19	≤20mm	8mm
XB1E723/24	B18W; B19	≤20mm	8mm
XB1E731/32	B18W; B19	≤20mm	8mm
XB1E733/34	B18W; B19	≤20mm	8mm

PAD/CALIPER CROSS-REFERENCE

CALIPER P/N	PAD SHAPE	USABLE PAD THICKNESS	PAD MINIMUM THICKNESS (WORN)
XB21511/12	B09	≤20mm	7mm
XB21513/14	B09	≤20mm	7mm
XB22211/12	B21; B22; B23	30mm	8mm
XB2K503/04	B09	25mm	7mm
XB2K513/14	B09	25mm	7mm
XB2K523/24	B09	≤25mm	7mm
XB2K553/54	B09	≤25mm	7mm
XB2K563/64	B09	≤25mm	7mm
XB2K5A3/A4	B09	≤23mm	7mm
XB2K5B3/B4	B09	≤23mm	7mm
XB2K5C3/C4	B09	≤23mm	7mm
XB2K5D3/D4	B09	≤23mm	7mm
XB3B503/04	B18W; B26	≤20mm	8mm
XB3L513/14	B09	≤16mm	7mm
XB41053/54	B29	29mm	8mm
XB44243/44	B18W	16mm	8mm
XB4P321/22	B24; B28; B29	30mm	8mm
XB4P331/32	B24; B28; B29	30mm	8mm
XB4P351/52	B24; B28	30mm	8mm
XB4P421/22	B13	≤26,5mm	8mm
XB4P461/62	B13	≤26,5mm	8mm
XB4P471/72	B13	≤26,5mm	8mm
XB5Q401/02	B22	18mm	8mm
XB66043/44	B18W	16mm	8mm
XB6T211/12	B24	17mm; 25mm; 26,5mm	8mm
XB7AH03/04	B52	≤16,75mm	6,5mm
XB82301	B18W	16mm	8mm
XB89401/02	B18W	16mm	8mm
XB8GK51/52	B24; B28; B29	30mm	8mm

PAD/CALIPER CROSS-REFERENCE

CALIPER P/N	PAD SHAPE	USABLE PAD THICKNESS	PAD MINIMUM THICKNESS (WORN)
XB8GK61/62	B24; B28; B29	30mm	8mm
XB8GU11/12	B24	26,5mm	8mm
XB8GU23/24	B24	26,5mm	8mm
XB8GU73/74	B13	25mm	8mm
XB8GU77/78	B13	25mm	8mm
XB8N211/12	B60	30mm	8mm
XC03503/04	B24	25mm	8mm
XC04101/02	B18W	16mm	8mm
XC05601/02	B19	17,5mm	8mm
XC05603/04	B19	17,5mm	8mm
XC0J411/12	B52	≤17mm	6,5mm
XC0J441/42	B18W	17mm	8mm
XC0J451/52	B18W	17mm	8mm
XC0Z821/22	B52	≤16,75mm	6,5mm
XC0Z831/32	B52	≤16,75mm	6,5mm
XC0Z841/42	B52	≤16,75mm	6,5mm
XC0Z843/44	B52	≤16,75mm	6,5mm
XC0Z851/52	B52	≤16,75mm	6,5mm
XC0Z853/54	B52	≤16,75mm	6,5mm
XC1CP10/11	B09	≤20mm	7mm
XC1H701/02	B22	22mm	8mm
XC2J321/22	B24; B28; B29	30mm	8mm
XC2J371/72	B13	≤26,5mm	8mm
XC2X101/02	B28	≤29mm	8mm
XC3N501/02	B18W; B26	≤20mm	8mm



brembo.com