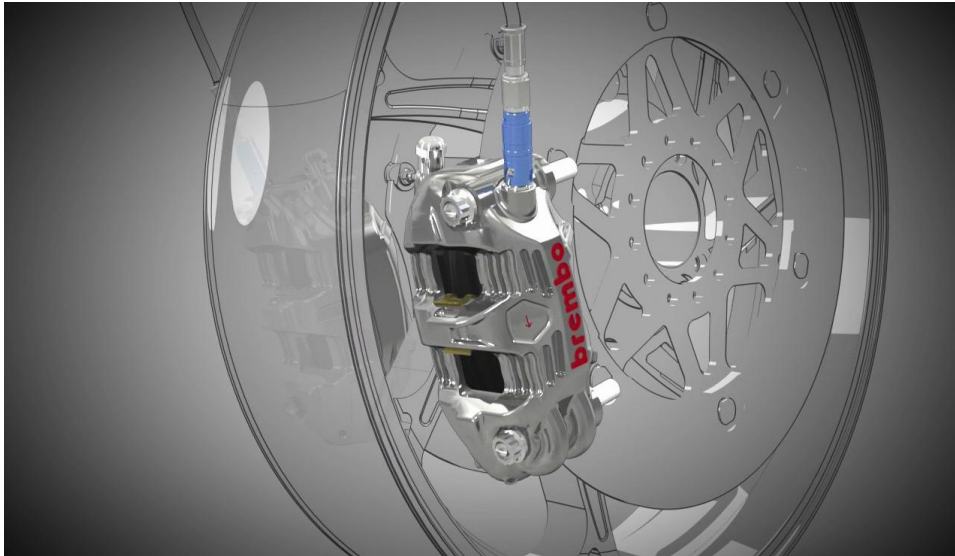




The secrets of Brembo braking system for MotoGP

Brembo presents the new video about the functioning of braking system thanks to the 3D technology allowing to analyse each single component



Stezzano, Italy, September 2016 - Brembo presents the updated version of the 3D video dedicated to global specialized press to better understand the highest level of technological sophistication with the MotoGP brake system.

The 3D video, available in Italian and English, features images of great impact and full of details, highlighting the highest technology reached by the engineers of the Italian *factory*. In the virtual tour Brembo accompanies the viewer inside and 'through' every single component, pointing out the critical role and the behaviour of a braking system during a MotoGP race.

The new video, compared to the previous version, shows in addition a detailed analysis of each component even in wet configuration.

The Italian company, world leader in the research and supply of new technological and high performance solutions and components in international competitions, with this informative tool shows once again the high technological level of materials composing a braking system and the maximum standard of performance and reliability of each component.

The video can be downloaded at the following link:

<http://www.mediakit.brembo.com/trade-show/formula1-motogp#motogp>

For further information please contact:

Corrado Pellegrini
Brembo MotoGP Communication Consultant
Mob: +39.339.3382008
@ c.pellegrini@lpditalia.it

Monica Michelini
Brembo Media Relations Specialist
@ monica_michelini@brembo.it

Massimo Arduini
Brembo Motorsport Media Relations Senior Consultant
GSM: +39.348.3147680
@ m.arduini@lpditalia.it