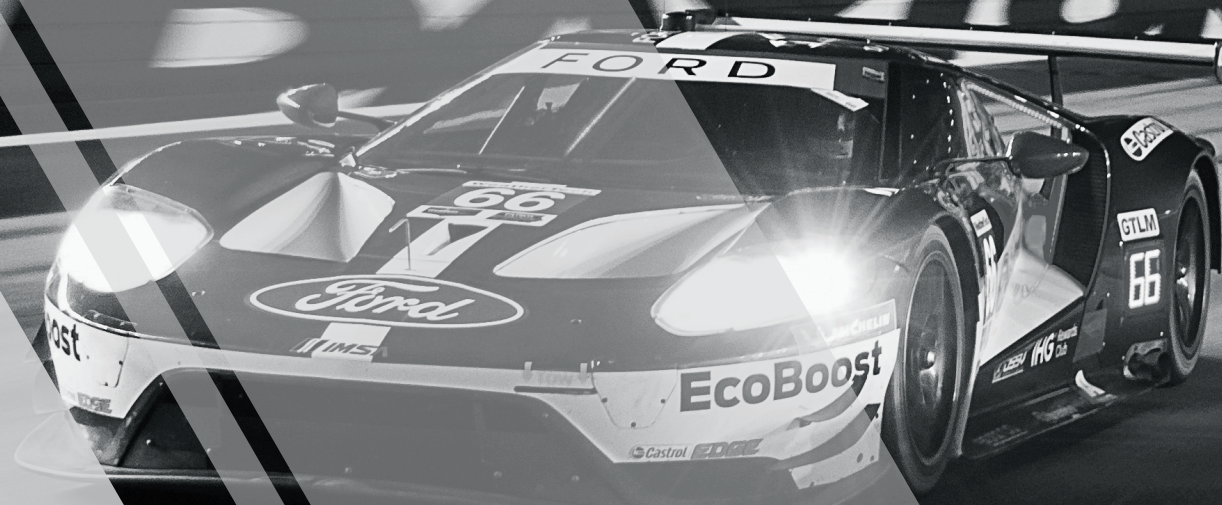


# BREMBO RACING BRAKE PADS



**BREMBO S.p.A.**  
Via Brembo 25  
24035 Curno (BG) - Italy  
Tel.: +39 035 605 1111  
Fax: +39 035 605 2766  
E-mail: [bremboracing@brembo.it](mailto:bremboracing@brembo.it)

RPAD18-A



[www.brembo.com](http://www.brembo.com)



# INDEX

INTRODUCTION	2
BREMBO RACING PAD COMPOUNDS	4
BREMBO BRAKE FLUID	10
SEC. 1 - PAD APPLICATION LIST	12
SEC. 2 - PAD DRAWINGS	18

The data contained in this catalogue are provided for information purposes only and therefore may be subject to change.

# INTRODUCTION



## **Brembo, #1 for brakes**

Brembo is the world's leading maker of braking systems for motor cars, motorcycles and commercial vehicles. The organization operates on 3 continents, with production sites in 16 countries and sales networks in 70 national territories around the world.

## **Research never ceases**

The Brembo Group has over 7,600 collaborators, nearly 10% of whom are engineers and product specialists involved in research and development.

## **Brembo - all done in-house**

The entire manufacturing process is an in-house operation: design, development, testing, machining, quality control, distribution and service.

## **Brembo means top quality**

Brembo brakes are manufactured in conformity with ISO 9004 and ISO 14001 standards. Aftermarket products are covered by the Brembo Warranty and carry ABE/TÜV certification from the German Federal Road Safety Office.

## **Top vehicle makers use Brembo**

Brembo produces original equipment braking systems for the top vehicle makers: Aston Martin, Audi, BMW, Cadillac, Chrysler, Ferrari, Ford, General Motors, Honda, Lexus, Jeep, Land Rover, Mercedes-Benz, Mitsubishi, Nissan, Porsche, Subaru, Volkswagen, Volvo, to name but a few.

## **An integrated production cycle**

All Brembo Racing products are the outcome of an integrated industrial process implemented entirely in-house, from design through manufacture to final testing, on the bench and on the track.



### **Extreme conditions, maximum performance**

Brembo is the only manufacturer in the automotive sector to offer a full range of products dedicated exclusively to Racing, on 2 and 4 wheels. Products designed to excel in the most extreme conditions: unwavering performance, braking power, absolute control, ability to withstand the highest temperatures.

### **A leading name in carbon products**

Banking continuously on research to drive innovation in technology and materials, Brembo reigns undisputed as the premier maker of high carbon discs and pads for F1 cars and MotoGP motorbikes.

### **Brembo, racing, and winning**

For more than 30 years, Brembo has been supplying the most prestigious brands and working closely with race drivers, winning over 200 world titles. From its entry into the racing world in 1975, Brembo has proved to be an extraordinarily reliable partner, providing consistently high performing products and excellent on-track support. For additional information, please refer to our website [www.brembo.com](http://www.brembo.com)





**BREMBO  
RACING PAD  
COMPOUNDS**



# TECHNICAL COMPOUND CHARACTERISTIC

## RB350

- Developed for Racing applications.
- Outstanding performance.
- Very high initial bite.
- Firm and constant pedal in any condition (unvarying performance).
- Low temperature for pad and disc.
- Low wear rate obtained with innovative technical solutions (ceramic base).
- Highest fading resistance on market.
- Good brake modulation (more control in braking above all in Rally applications).
- Specific surface protection: the pad is not painted. This to avoid spoiling paint caused in extreme condition of use.
- Used both on front and rear axle, except for Gr.N.

## TECHNICAL DATA RESULT COMPARISON

### DATA FROM SIMULATION STAGE WITH WRC CAR

COMPOUND	AVG. $\mu$	PAD WEAR ( $\mu\text{m}/\text{stop}$ )	T. PAD ( $^{\circ}\text{C}$ )	BITE
RB350	0,63	3	380	0,59

## COMPOUND TYPICAL APPLICATION

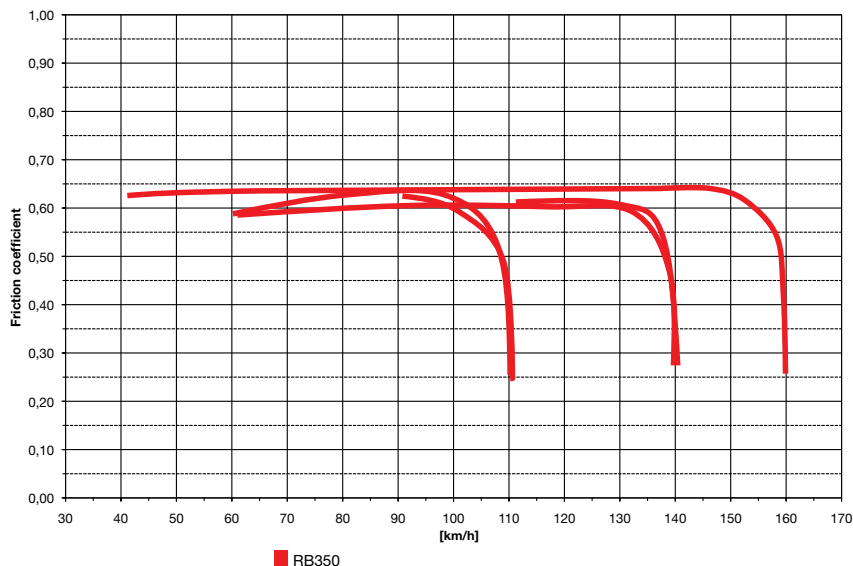
GT SPRINT RACE

RALLY TARMAK (WRC, S2000, Gr.N)

## BENCH TEST RESULT HIGHLIGHTS

STOPS	1	2	3	4	5
V (START)	160	110	140	160	140
V (END)	60	60	40	90	110

FRICITION COEFFICIENT/SPEED  
WRC Rally Simulation



### RB340

- Developed for Racing applications.
- Outstanding performance.
- Low wear rate obtained with innovative technical solutions (ceramic base).
- Low temperature for pad and disc.
- Highest fading resistance on market.
- High brake modulation (more control in braking above all in track applications).
- Specific surface protection: the pad is not painted. This to avoid spoiling paint caused in extreme condition of use.

### TECHNICAL DATA RESULT COMPARISON DATA FROM MONZA SIMULATION WITH GTE CAR

COMPOUND	AVG. $\mu$	PAD WEAR ( $\mu\text{m}/\text{stop}$ )	DISC WEAR ( $\mu\text{m}/\text{stop}$ )	T.DISC ( $^{\circ}\text{C}$ )
RB340	0,52	7,00	2,30	370/450

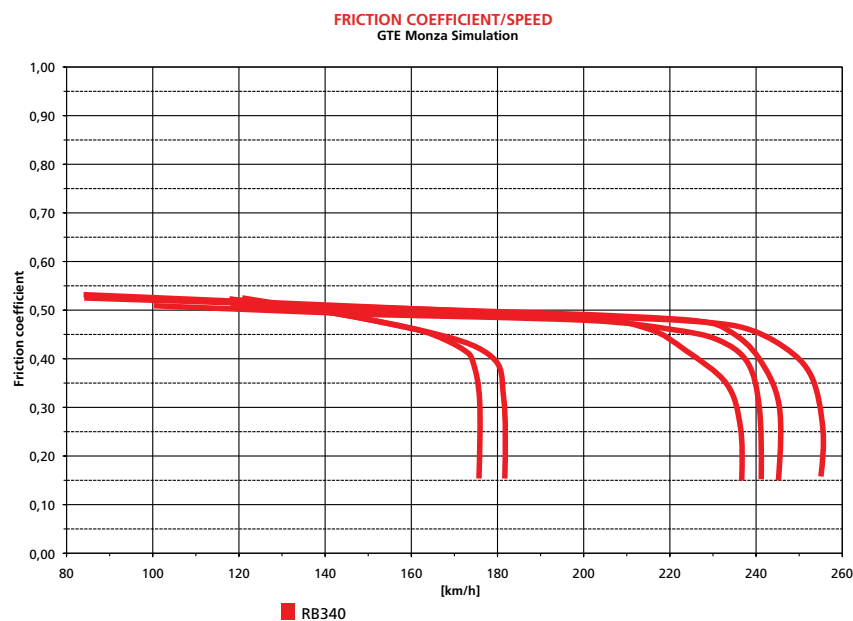
### COMPOUND TYPICAL APPLICATION

GT ENDURANCE RACE  
NASCAR

### BENCH TEST RESULT HIGHLIGHTS

STOPS	1	2	3	4	5	6
V (START)	255	235	180	175	240	245
V (END)	85	100	120	120	120	120

24 hours  
races  
with no pad  
change!





# TECHNICAL COMPOUND CHARACTERISTIC

**24 hours  
races  
with no pad  
change!**

## RB330

- Developed for Racing applications.
- Outstanding performance.
- Firm and constant pedal in any condition (unvarying performance).
- Low temperature for pad and disc.
- Low wear rate obtained with innovative technical solutions (ceramic base).
- Very good fading resistance.
- Good brake modulation (more control in braking above all in Rally gravel applications).
- Specific surface protection: the pad is not painted. This to avoid spoiling paint caused in extreme condition of use.

## TECHNICAL DATA RESULT COMPARISON DATA FROM MULTI-PURPOSE APPLICATION TEST

COMPOUND	AVG. $\mu$	PAD WEAR ( $\mu\text{m}/\text{stop}$ )	T. PAD ( $^{\circ}\text{C}$ )	T. FLUID ( $^{\circ}\text{C}$ )
RB330	0,42	2,30	350	127

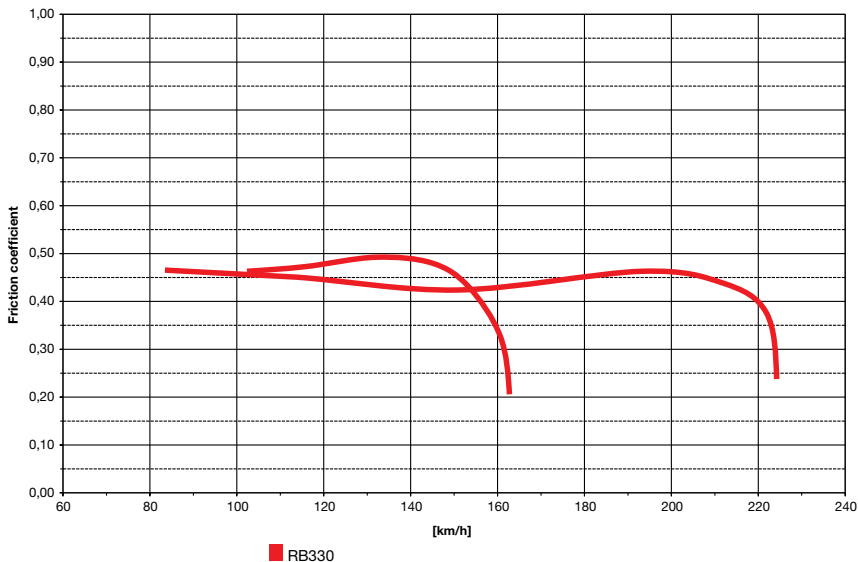
## COMPOUND TYPICAL APPLICATION

GT REAR  
RALLY GRAVEL (Gr.N)

## BENCH TEST RESULT HIGHLIGHTS

STOPS	1	2
V (START)	220	160
V (END)	80	100

**FRICTION COEFFICIENT/SPEED**  
Multipurpose Car Simulation



# TECHNICAL COMPOUND CHARACTERISTIC

## RB170

- Easy to bed compound.
- Good performance and torque control.
- Medium-High and controllable initial bite.
- Multi-purpose friction material.
- Low temperature for pad and disc.
- Used both on front and rear axle.

## TECHNICAL DATA RESULT COMPARISON DATA FROM MULTI-PURPOSE APPLICATION TEST

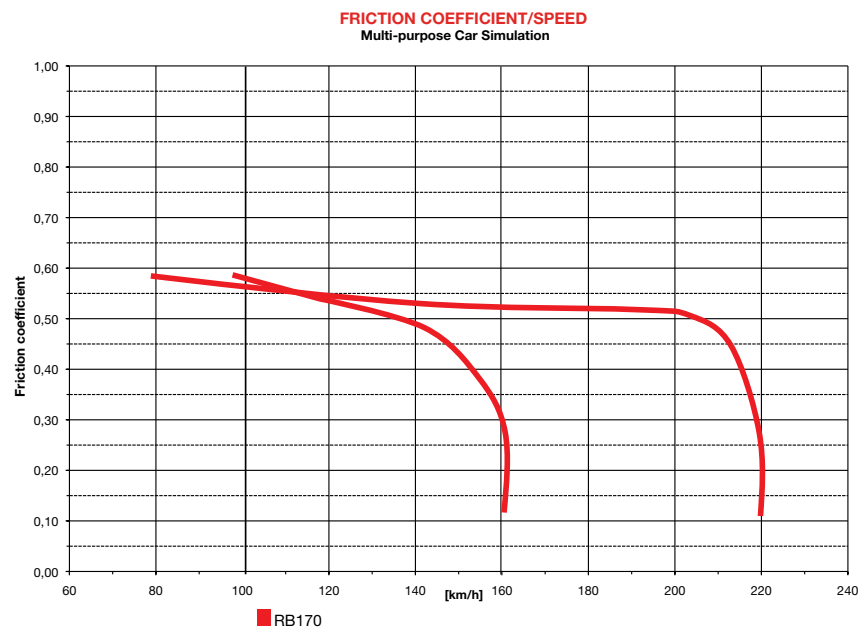
COMPOUND	AVG. $\mu$	PAD WEAR ( $\mu\text{m}/\text{stop}$ )	T. PAD ( $^{\circ}\text{C}$ )	T. FLUID ( $^{\circ}\text{C}$ )
RB170	0,50	9,30	440	480

## COMPOUND TYPICAL APPLICATION

F3  
GT SPRINT RACE  
RALLY TARMAC (Gr.N)  
TURISMO RACE

## BENCH TEST RESULT HIGHLIGHTS

STOPS	1	2
V (START)	220	160
V (END)	80	100



# BREMBO BRAKE FLUID



## **P/N 04.8164.11 LCF 600 PLUS BRAKE FLUID - 500cc**

### **Exclusively for racing use**

Brembo Racing LCF 600 plus has been specifically formulated to provide the highest performance under all racing conditions:

- an independently proven low compressibility at high temperatures
- a typical dry boiling point of 312°C (593°F)
- a typical wet boiling point of 204°C (399°F)
- colour range, visual: water white to amber. In case the fluid colour of a new opened bottle is different from the colour range, the performance will follow as usual.

It even exceeds the requirements of U.S. FMVSS 116 DOT4 specification.

### **COMPATIBILITY**

Compatible with all Brembo Racing Brake Systems. It can be mixed with other DOT3 and DOT4 racing brake fluids but for maximum performance advantage it is suggested, before filling, that other types of fluid should be drained from the brake system to avoid diluting the fluid characteristics. Brembo LCF 600 plus must not be used in brake systems containing magnesium parts.

It is for racing purposes only and is not intended for road use.

### **FLUID STORAGE CONDITIONS:**

Brake fluid should always be stored indoors. It should be kept in a cool and dry place. Keep it out of direct sunlight. Observe strict stock rotation (FIFO). Avoid changes of temperature or humidity. Keep in original sealed containers until needed. Once opened, use it within 2 days. With opened containers, ensure that no contaminant is allowed to enter. Re-cap the bottle tightly (check that the neck will give a good seal).

The data contained in this catalogue are provided for information purposes only and therefore may be subject to change.

**P/N 04.8164.20**  
**HTC 64T BRAKE FLUID - 500cc**

**Exclusively for racing use**

Brembo Racing HTC 64T has been specially formulated to provide the superior performance on racing applications operated at extremely high temperatures offering:

- an independently proven low compressibility at high temperatures
- a typical dry boiling point of 355°C (635°F)
- colour range, visual: water white to amber. In case the fluid colour of a new opened bottle is different from the colour range, the performance will follow as usual.

**COMPATIBILITY**

Compatible with other racing brake fluids confirming to DOT3 and DOT4.

For maximum performance advantage it is suggested do not mix with other types of fluid and bleed the system with fresh fluid before each race session.

Brembo HTC 64T must not be used in brake systems containing magnesium components. It is for racing purposes only and is not intended for road use.



**FLUID STORAGE CONDITIONS:**

Brake fluid should always be stored indoors. It should be kept in a cool and dry place. Keep it out of direct sunlight. Observe strict stock rotation (FIFO). Avoid changes of temperature or humidity. Keep in original sealed containers until needed. Once opened, use it within 2 days. With opened containers, ensure that no contaminant is allowed to enter. Re-cap the bottle tightly (check that the neck will give a good seal).

The data contained in this catalogue are provided for information purposes only and therefore may be subject to change.

# 1

## **PAD APPLICATION LIST**



Brembo Family	Th.	Material	Kit p/n	Pre-bedded option	Application	Caliper
B08	16mm	RB-170	B0816170		F3 (2007)	Brembo
B09	16mm	RB-330	B0916330	X		Brembo
B09	16mm	RB-340	B0916340			Brembo
B09	20mm	RB-130	B0920130		Gr.N rear Gravel	Brembo
B09	20mm	RB-170	B0920170		Gr.N rear Gravel	Brembo
B09	20mm	RB-330	B0920330			Brembo
B09	20mm	RB-340	B0920340		Gr.N rear Tarmac	Brembo
B09	20mm	RB-350	B0920350			Brembo
B10	16mm	RB-170	B1016170	X	F3 2008 -->	Brembo
B10	16mm	RB-330	B1016330		4P caliper	Brembo
B10	16mm	RB-340	B1016340		4P caliper	Brembo
B11	14mm	RB-170	B1114170		Aston Martin rear	Brembo OE
B13	16mm	RB-330	B1316330		4P Rally - Citroen DS3 tarmac	Brembo
B13	16mm	RB-350	B1316350		4P Rally - Citroen DS3 tarmac	Brembo
B13	22mm	RB-340	B1322340		4P rear GT narrow	Brembo
B13	25mm	RB-330	B1325330		4P rear GT	Brembo
B13	25mm	RB-340	B1325340	X	4P rear GT	Brembo
B13	25mm	RB-350	B1325350		4P rear GT	Brembo
B13	26,5mm	RB-170	B1326170		4P rear GT	Brembo
B13	26,5mm	RB-330	B1326330	X	4P rear GT	Brembo
B13	26,5mm	RB-340	B1326340	X	4P rear GT	Brembo
B13	26,5mm	RB-350	B1326350		4P rear GT	Brembo
B15	17mm	RB-170	B1517170		Brembo M4	Brembo OE
B18	16mm	RB-330	B1816330		Mini WRC Tarmac/Fiesta R5 Tarmac	Ap Racing
B18	16mm	RB-350	B1816350		Mini WRC Tarmac/Fiesta R5 Tarmac	Ap Racing
B18	17,5mm	RB-130	B1817130		Gr.N front Gravel	Brembo
B18	17,5mm	RB-170	B1817170		Gr.N front Gravel	Brembo
B18	17,5mm	RB-330	B1817330		Gr.N/S2000 Gravel	Brembo
B18	17,5mm	RB-350	B1817350		S2000 Tarmac	Brembo
B18	20mm	RB-330	B1820330			Brembo
B18	20mm	RB-340	B1820340		GT	Brembo
B18	26mm	RB-170	B1826170		4P Rear GT	Brembo
B18	26mm	RB-330	B1826330			Brembo
B18	26mm	RB-340	B1826340		4P Rear GT	Brembo
B18	26mm	RB-350	B1826350		4P Rear GT	Brembo
B19	26mm	RB-330	B1926330			Brembo
B19	28mm	RB-350	B1928350			Brembo
B21	30mm	RB-340	B2130340	X	Nascar/GT wide annulus	Brembo
B21	30mm	RB-350	B2130350		Nascar/GT wide annulus	Brembo

Brembo Family	Th.	Material	Kit p/n	Pre-bedded option	Application	Caliper
B22	18mm	RB-170	B2218170		RallyRaid	Brembo
B22	18mm	RB-340	B2218340		RallyRaid	Brembo
B22	18mm	RB-350	B2218350		RallyRaid	Brembo
B22	30mm	RB-340	B2230340			Brembo
B22	30mm	RB-350	B2230350			Brembo
B24	22mm	RB-170	B2422170		6P GT narrow	Brembo
B24	22mm	RB-340	B2422340		6P GT narrow	Brembo
B24	22mm	RB-350	B2422350			Brembo
B24	25mm	RB-170	B2425170		6P GT forged	Brembo
B24	25mm	RB-330	B2425330			Brembo
B24	25mm	RB-340	B2425340	X	6P GT forged	Brembo
B24	25mm	RB-350	B2425350		6P GT forged	Brembo
B24	29mm	RB-170	B2429170		6P GT	Brembo
B24	29mm	RB-340	B2429340	X	6P GT	Brembo
B26	16mm	RB-330	B2616330		Mini WRC Gravel/Fiesta R5 Gravel	Brembo
B26	16mm	RB-350	B2616350		Mini WRC Gravel/Fiesta R5 Gravel	Brembo
B26	17,5mm	RB-330	B2617330		S2000 rear Gravel	Brembo
B26	17,5mm	RB-340	B2617340			Brembo
B26	20mm	RB-330	B2620330			Brembo
B28	25mm	RB-340	B2825340	X	GT wide annulus	Brembo
B28	25mm	RB-350	B2825350		GT wide annulus	Brembo
B28	29mm	RB-340	B2829340	X	GT wide annulus	Brembo
B28	29mm	RB-350	B2829350		GT wide annulus	Brembo
B29	25mm	RB-340	B2925340		GT wide annulus (with pin)	Brembo
B29	29mm	RB-340	B2929340		GT wide annulus (with pin)	Brembo
B30	20mm	RB-330	B3020330	X	Nascar	Brembo
B30	20mm	RB-340	B3020340	X	Nascar	Brembo
B30	20mm	RB-350	B3020350	X	Nascar	Brembo
B30	26mm	RB-330	B3026330	X	Nascar	Brembo
B30	26mm	RB-340	B3026340	X	Nascar	Brembo
B51	18mm	RB-170	B5118170		6P GT	Ap Racing
B51	25mm	RB-170	B5125170		6P GT	Ap Racing
B51	25mm	RB-340	B5125340		6P GT	Ap Racing
B51	25mm	RB-350	B5125350		6P GT	Ap Racing
B51	28mm	RB-330	B5128330		6P GT	Ap Racing
B51	28mm	RB-340	B5128340		6P GT	Ap Racing
B52	17mm	RB-170	B5217170		4P GT/Rally	Ap Racing
B52	20mm	RB-340	B5220340		4P rear GT	Ap Racing
B54	17mm	RB-170	B5417170		Various	Ap Racing



Brembo Family	Th.	Material	Kit p/n	Pre-bedded option	Application	Caliper
B55	25mm	RB-340	B5525340		6P GT	Ap Racing
B55	26mm	RB-170	B5526170		6P GT	Ap Racing
B55	28mm	RB-340	B5528340		6P GT	Ap Racing
B55	28mm	RB-350	B5528350		6P GT	Ap Racing
B55	30mm	RB-170	B5530170		6P GT	Ap Racing
B55	30mm	RB-340	B5530340		6P GT	Ap Racing
B56	25mm	RB-170	B5625170		6P GT	Ap Racing
B58	28mm	RB-340	B5828340		6P GT	Ap Racing
B60	30mm	RB-340	B6030340		6P GT	Ap Racing
B62	15mm	RB-170	B6215170		Mitsubishi/Subaru/Aston Martin OE	Brembo OE
B63	15mm	RB-130	B6315130		Renault/Fiat R3 front	Brembo OE
B63	15mm	RB-330	B6315330		Renault Clio/Fiat R3 front	Brembo OE
B63	15mm	RB-340	B6315340		Renault Clio/Fiat R3 front	Brembo OE
B63	15mm	RB-350	B6315350		Renault Clio/Fiat R3 front	Brembo OE
B64	17mm	RB-170	B6417170		Brembo M6 HP	Brembo OE
B65	17mm	RB-170	B6517170		Brembo M6 HP	Brembo OE
B66	19mm	RB-340	B6619340		Porsche Cup Front	Brembo OE
B67	19mm	RB-340	B6719340		Porsche Cup Rear	Brembo OE
B70	30mm	RB-340	B7030340		Porsche GT3R Front	other

## NOTES:

- Typical Applications are only suggested. For detailed information about the fitting compatibility, please ask to your dealer.
- Please ask to your dealer for the available pre-bedded pad versions.

## BEDDED OPTION

The bedding procedure is needed essentially to prepare the pad and/or disc for the race: the pre-bedding procedure that Brembo is able to offer you, is done on a dyno bench with a dedicated process which will then let you save time when the pads and/or discs will be assembled in the car.

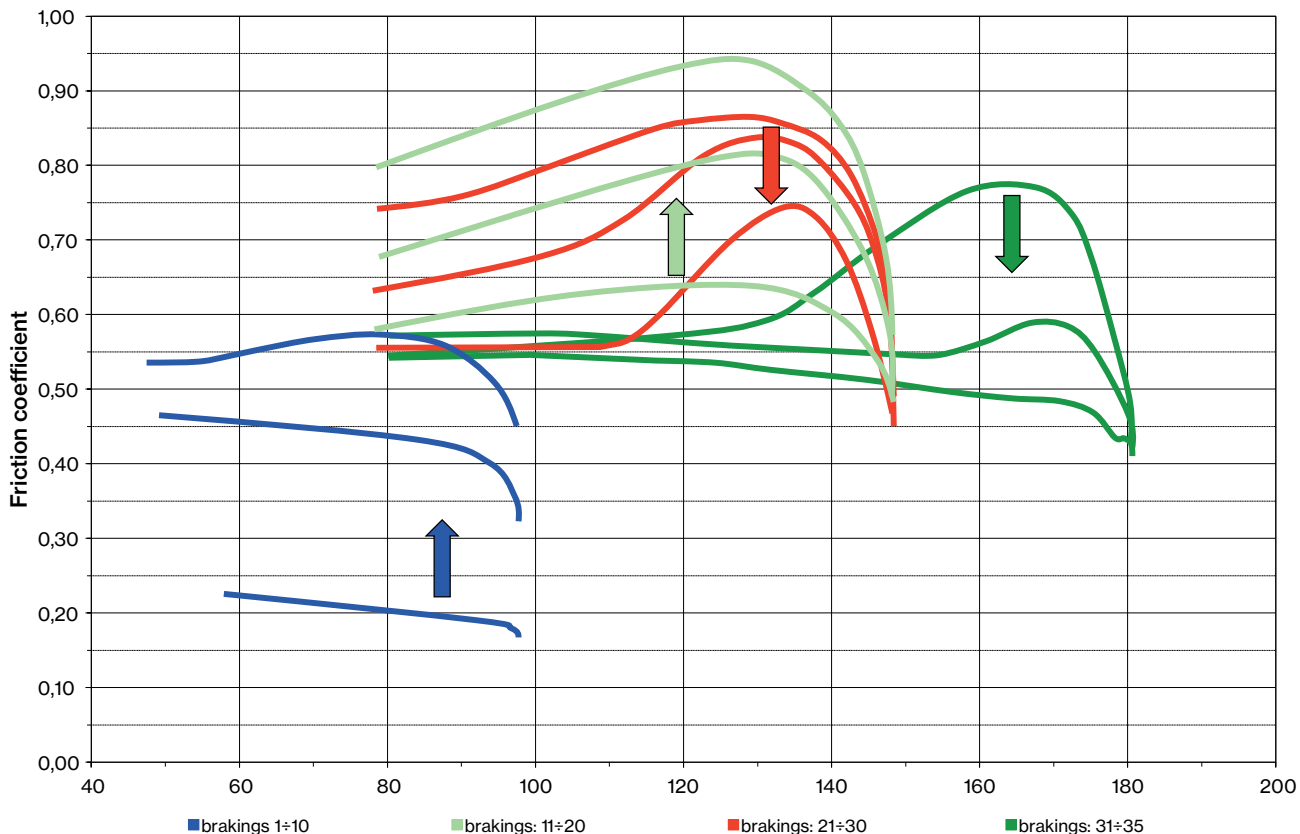
This procedure helps to build a uniform and stable transfer layer on the disc, that will subsequently ensure the correct friction; in this phase the pad material is not modified but works to create a deposit on the disc surface.

The bedding is a very critical element of the life of brake components, an incorrect or hasty procedure could compromise not only the life but also the performance of components.

Thanks to the pre-bedding procedure you will face a reduced risk of damage for the pad and disc during the bedding in the car, further to the reduction costs as you will need less time and mileage for it.

Brembo offers now the opportunity to receive pre-bedded pads – ask further information to your distributor about the availability in the Brembo Racing pads range.

### FRICITION COEFFICIENT/SPEED



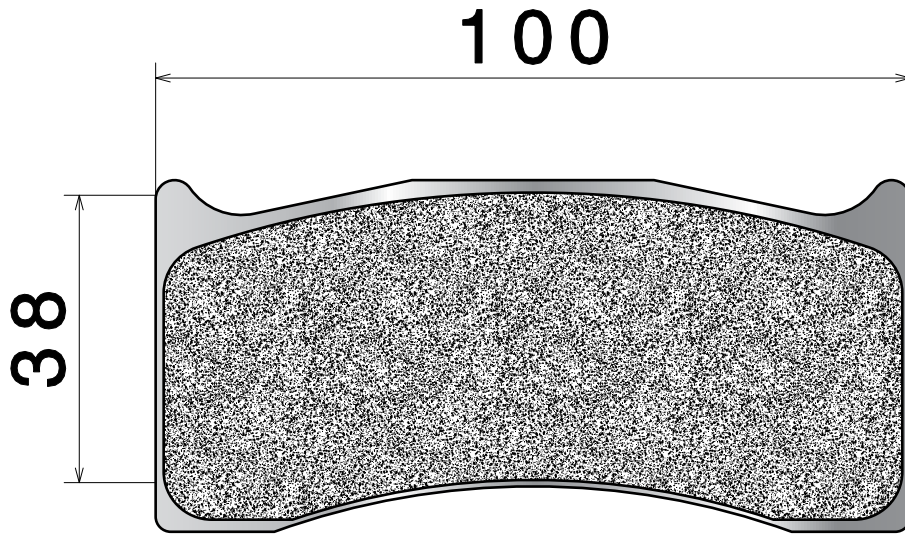
# 2

## **PAD DRAWINGS**



**B08**

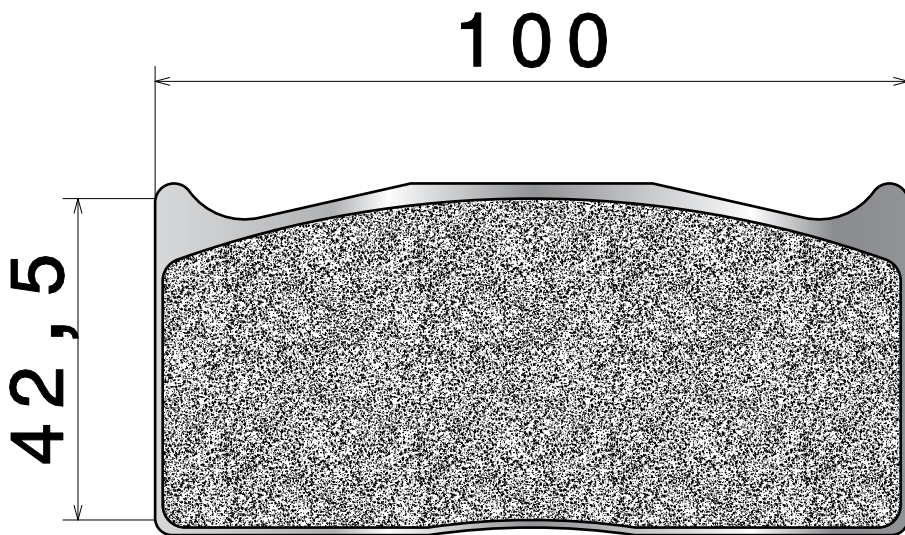
RB350	RB340	RB330	RB170
			✓



2

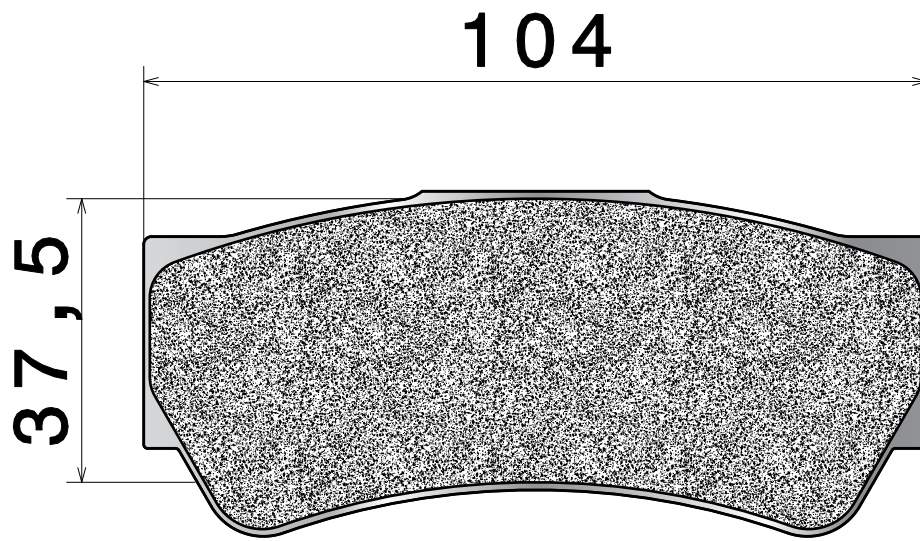
**B09**

RB350	RB340	RB330	RB170
✓	✓	✓	✓



**B10**

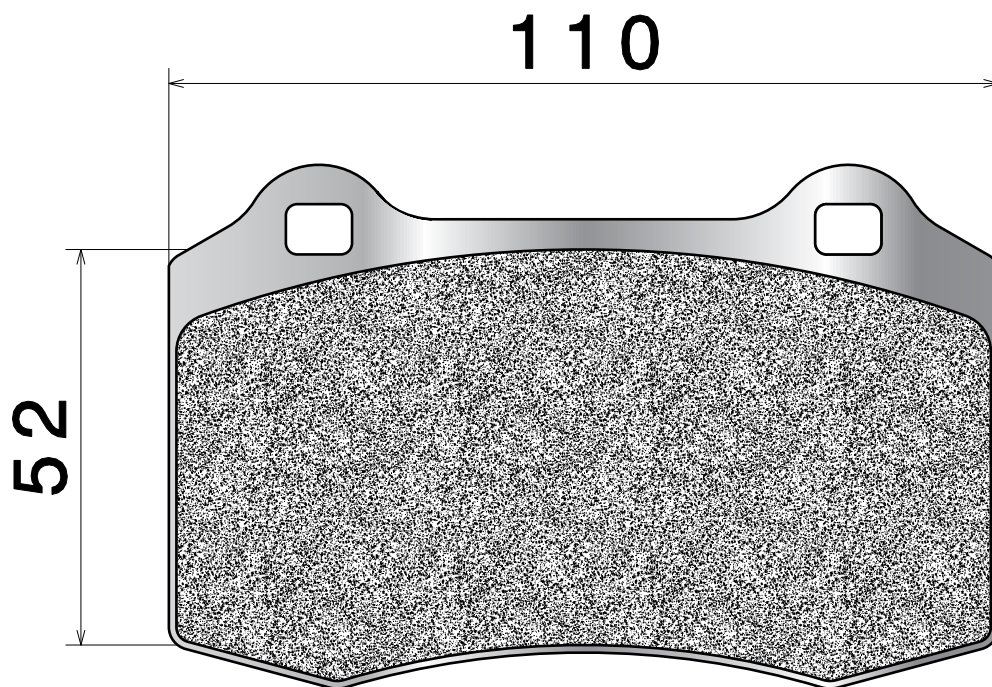
RB350	RB340	RB330	RB170
	✓	✓	✓



2

**B11**

RB350	RB340	RB330	RB170
			✓

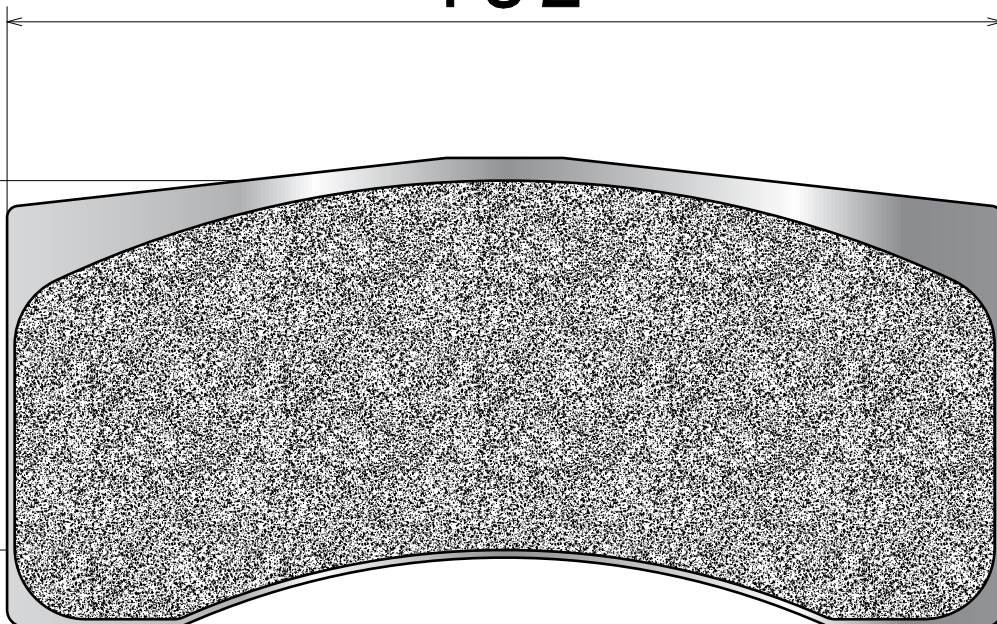


**B13**

RB350	RB340	RB330	RB170
✓	✓	✓	✓

132

49



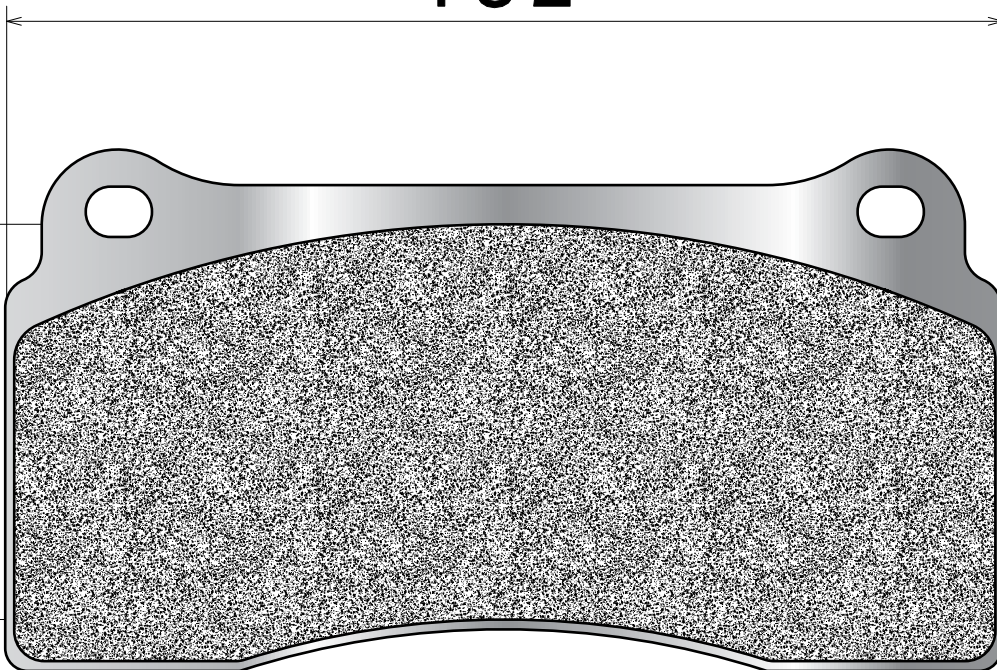
2

**B15**

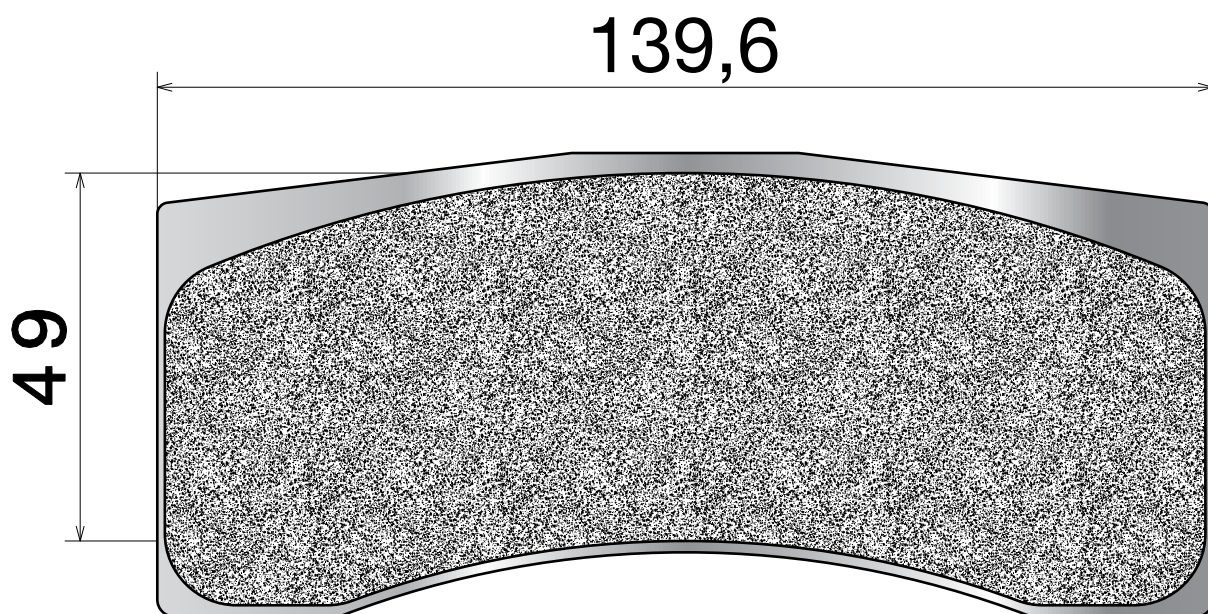
RB350	RB340	RB330	RB170
			✓

132

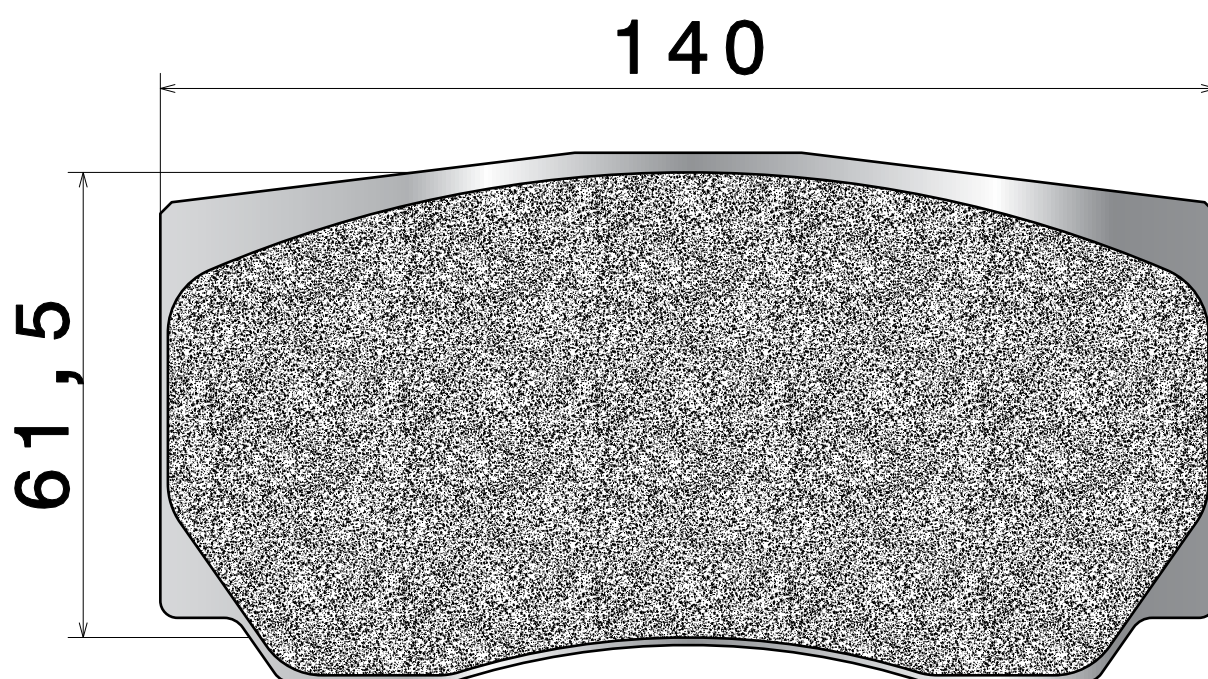
52



<b>B18</b>	RB350	RB340	RB330	RB170
	✓	✓	✓	✓



<b>B19</b>	RB350	RB340	RB330	RB170
	✓		✓	



2



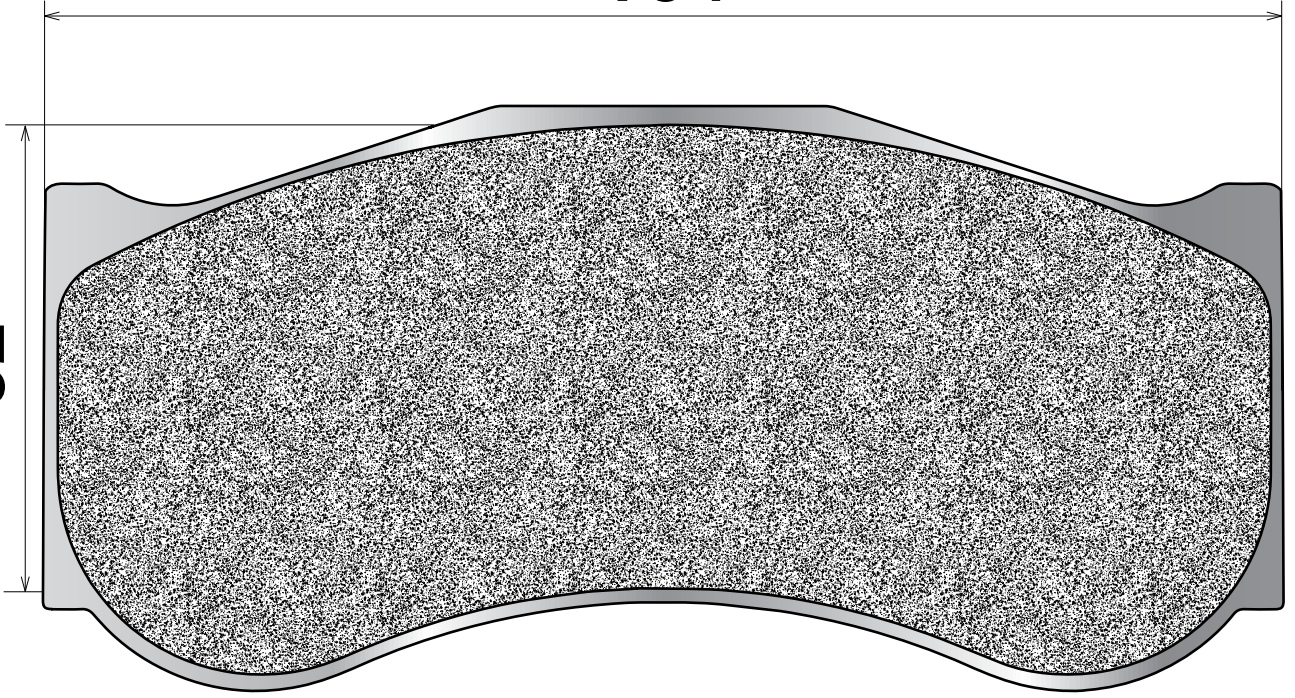
**B21**

RB350	RB340	RB330	RB170
✓	✓		

164

62

2

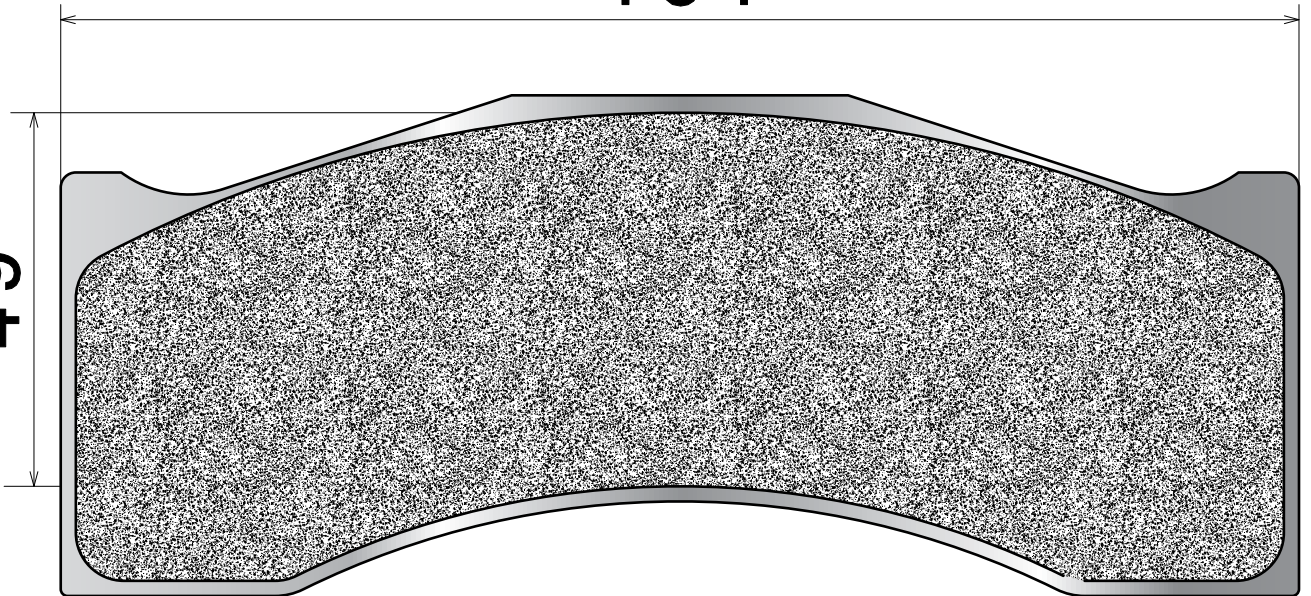


**B22**

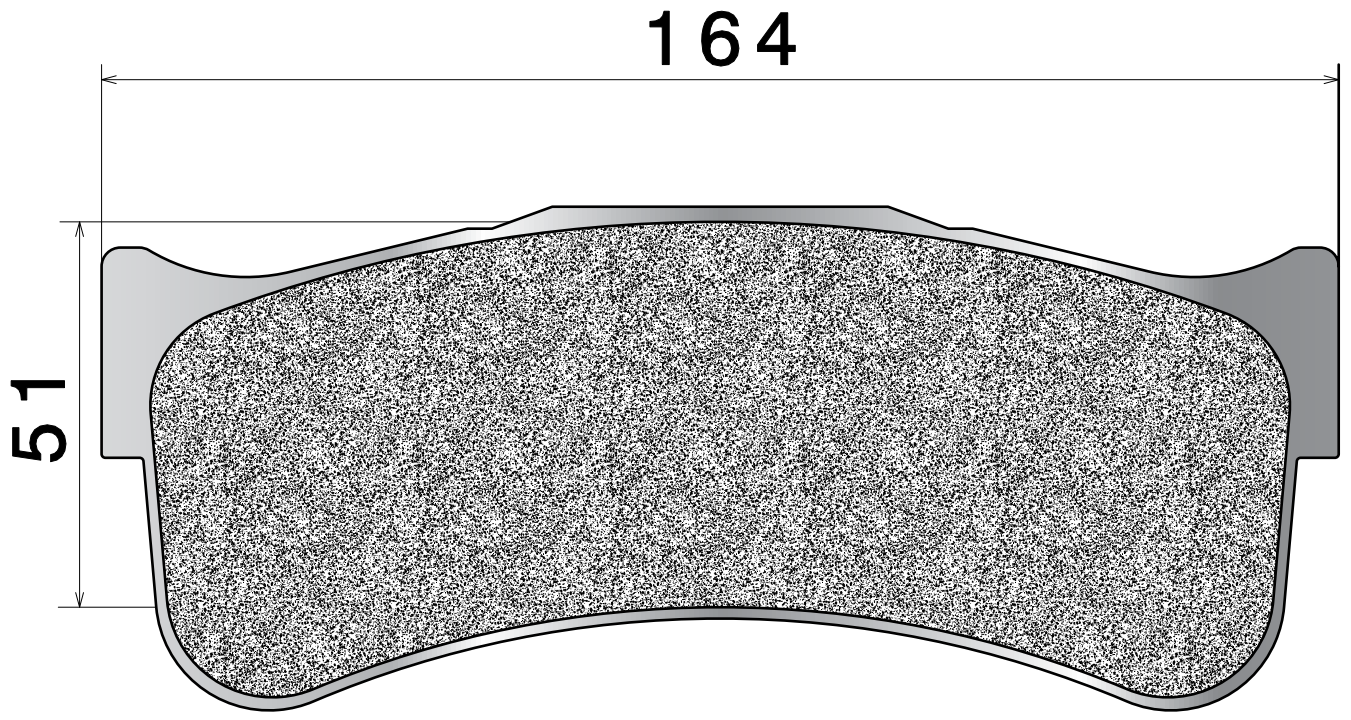
RB350	RB340	RB330	RB170
✓	✓		✓

164

49

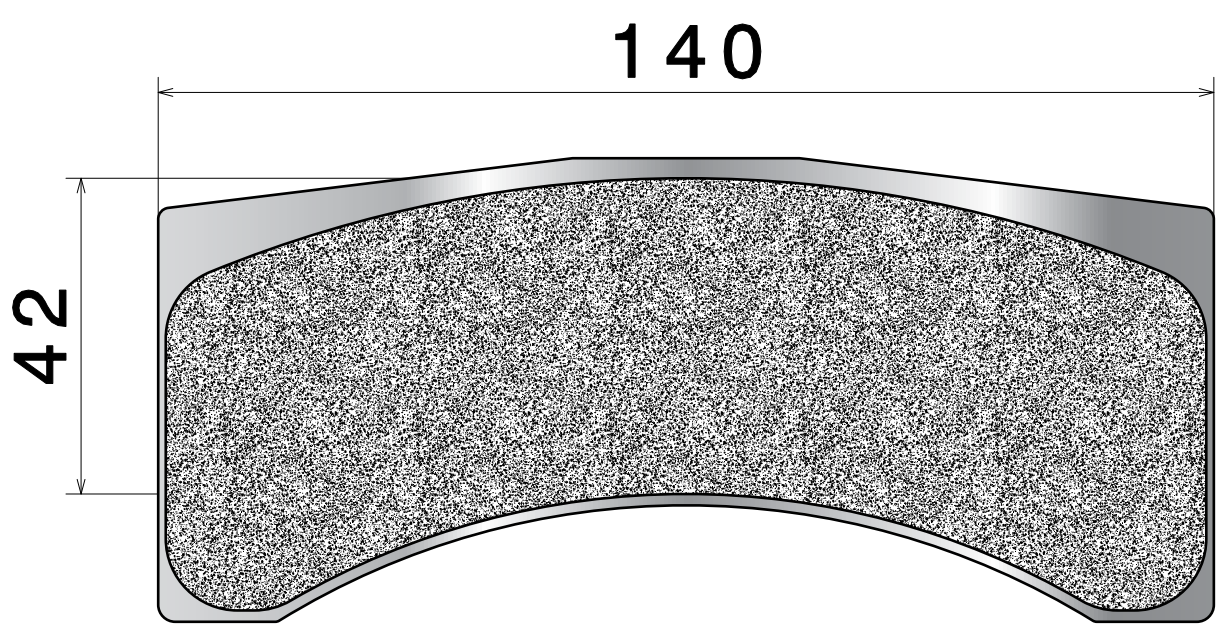


<b>B24</b>	RB350	RB340	RB330	RB170
	✓	✓	✓	✓



2

<b>B26</b>	RB350	RB340	RB330	RB170
	✓	✓	✓	

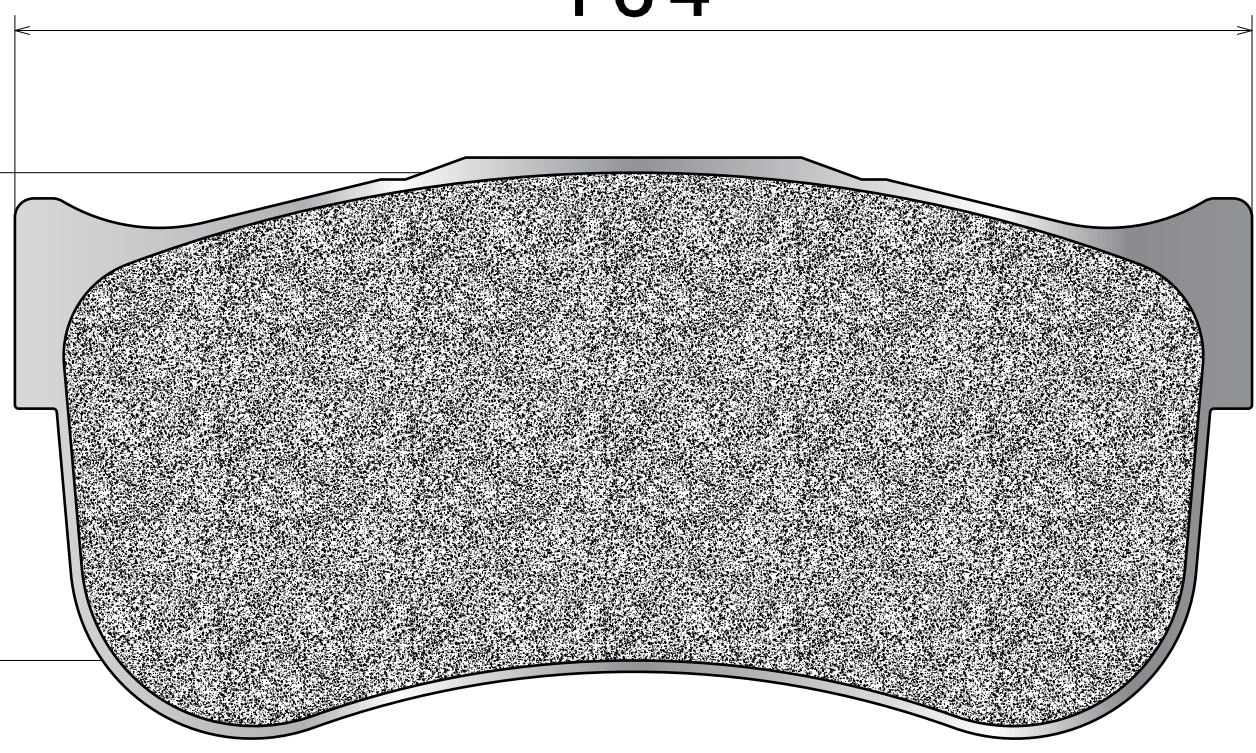


<b>B28</b>	RB350	RB340	RB330	RB170
	✓	✓		

164

64,5

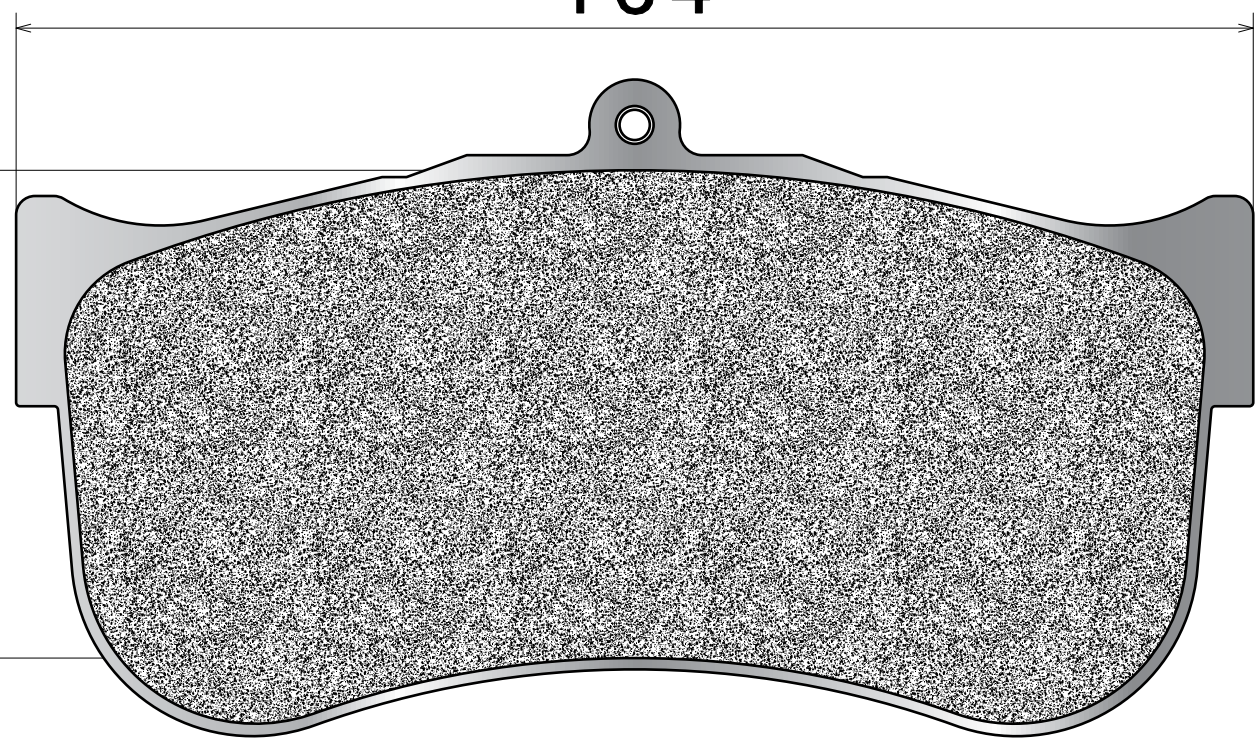
2



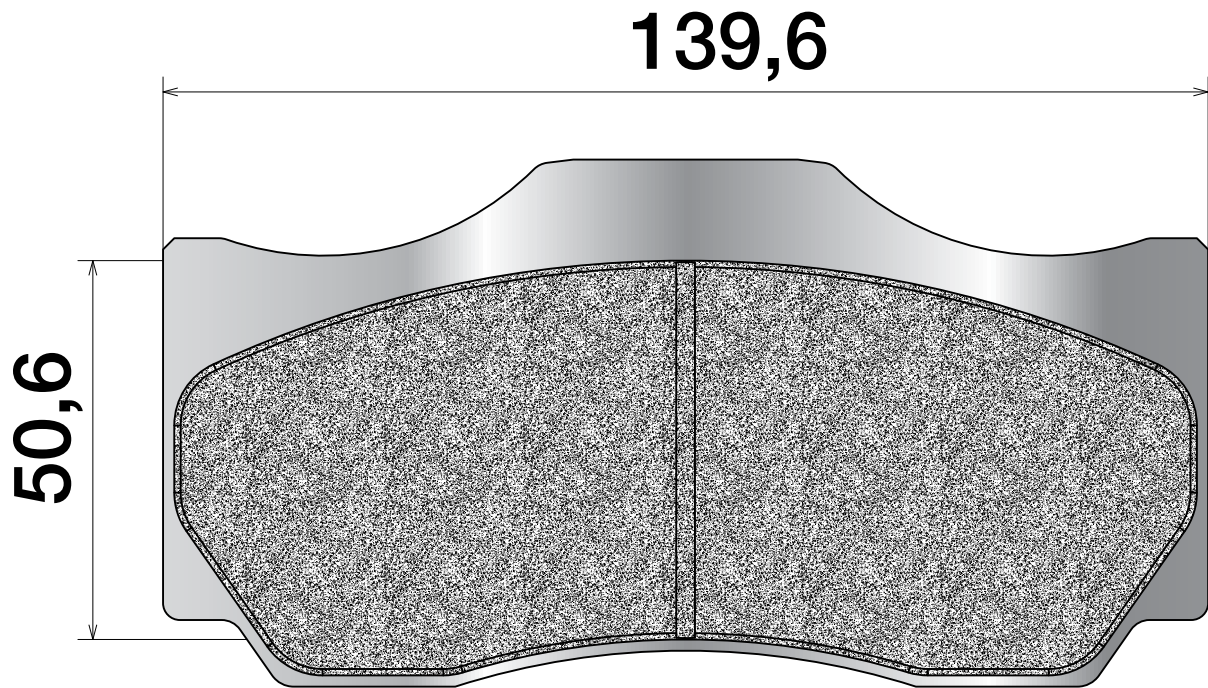
<b>B29</b>	RB350	RB340	RB330	RB170
		✓		

164

64,5

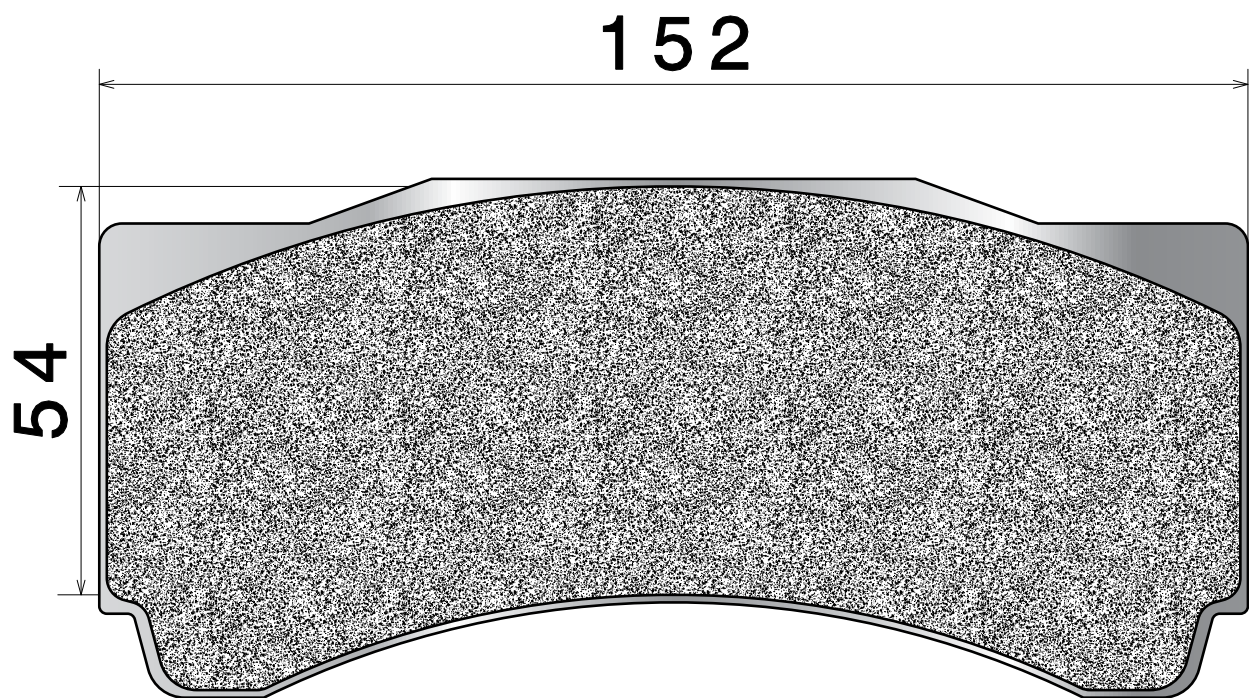


<b>B30</b>	RB350	RB340	RB330	RB170
	✓	✓	✓	



2

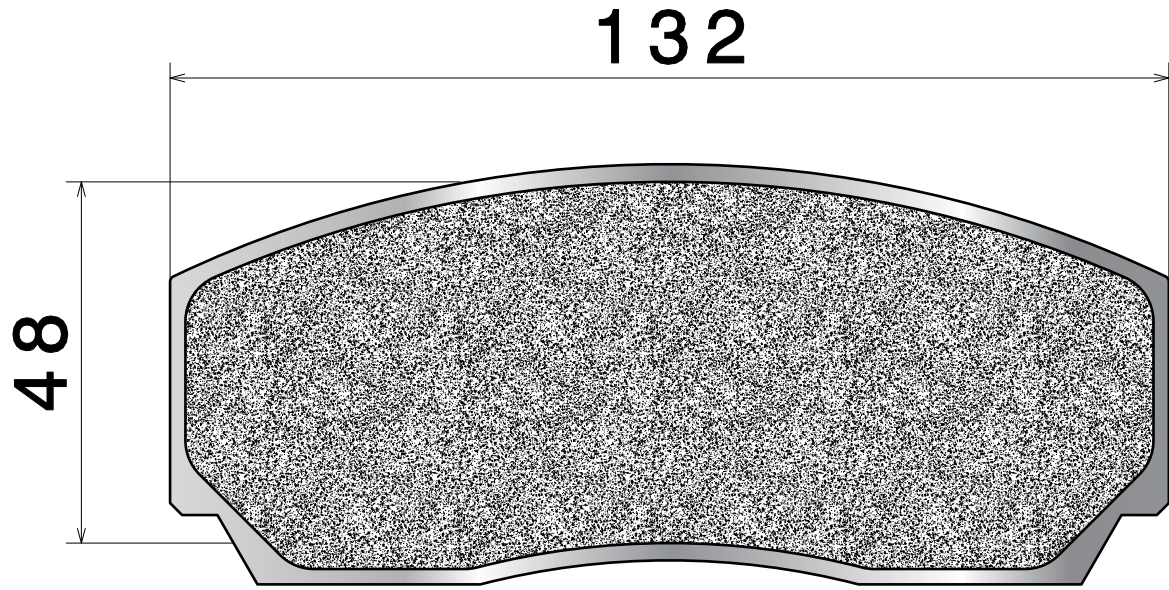
<b>B51</b>	RB350	RB340	RB330	RB170
	✓	✓	✓	✓



**B52**

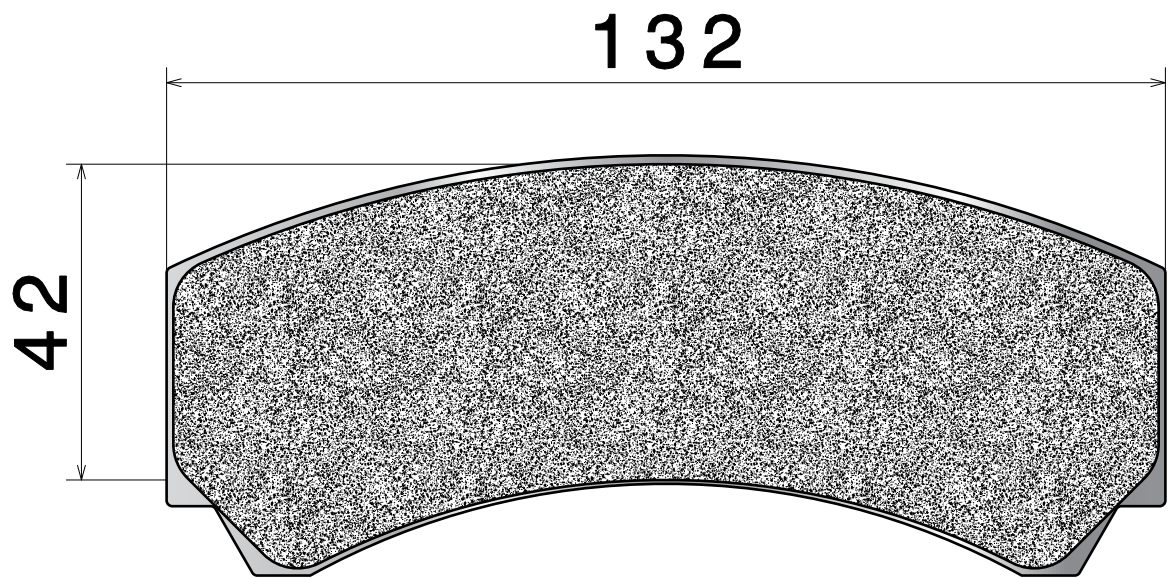
RB350	RB340	RB330	RB170
	✓		✓

2

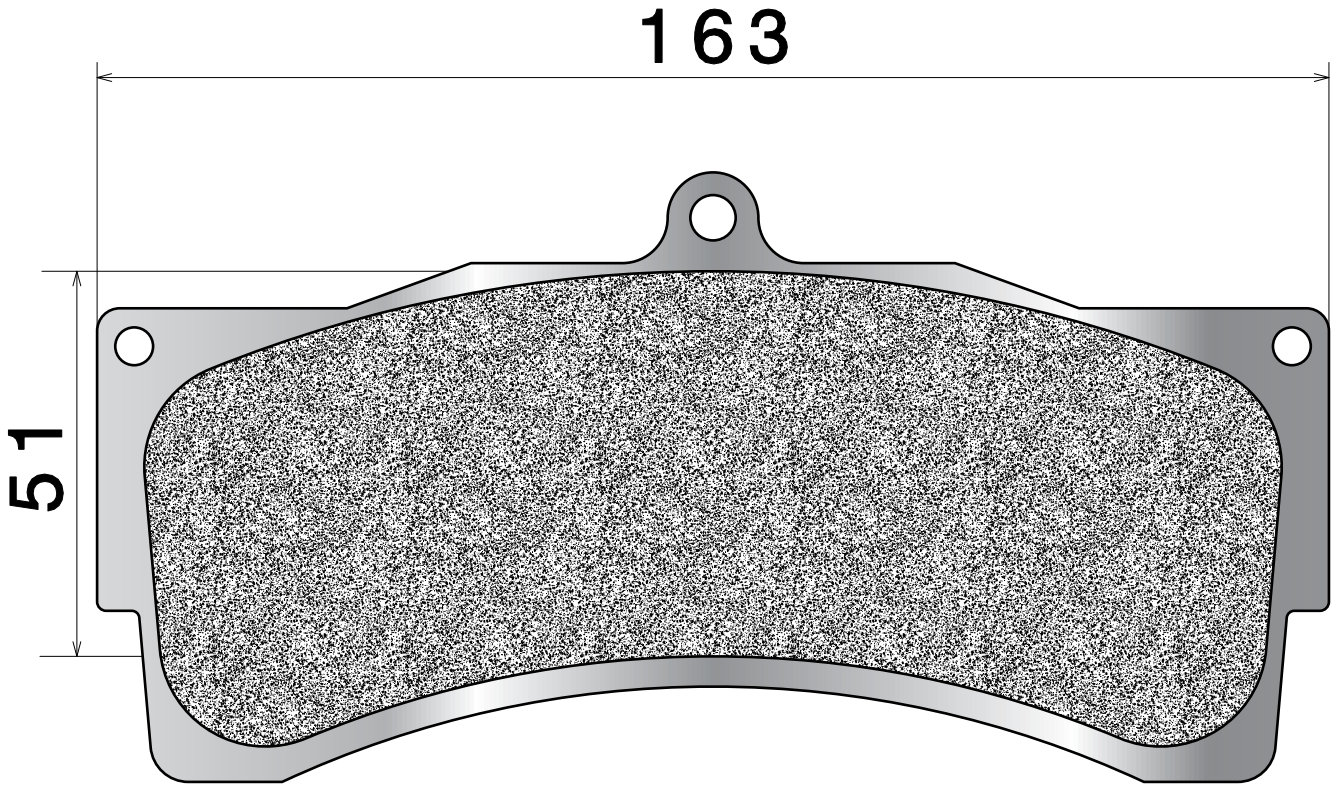


**B54**

RB350	RB340	RB330	RB170
			✓

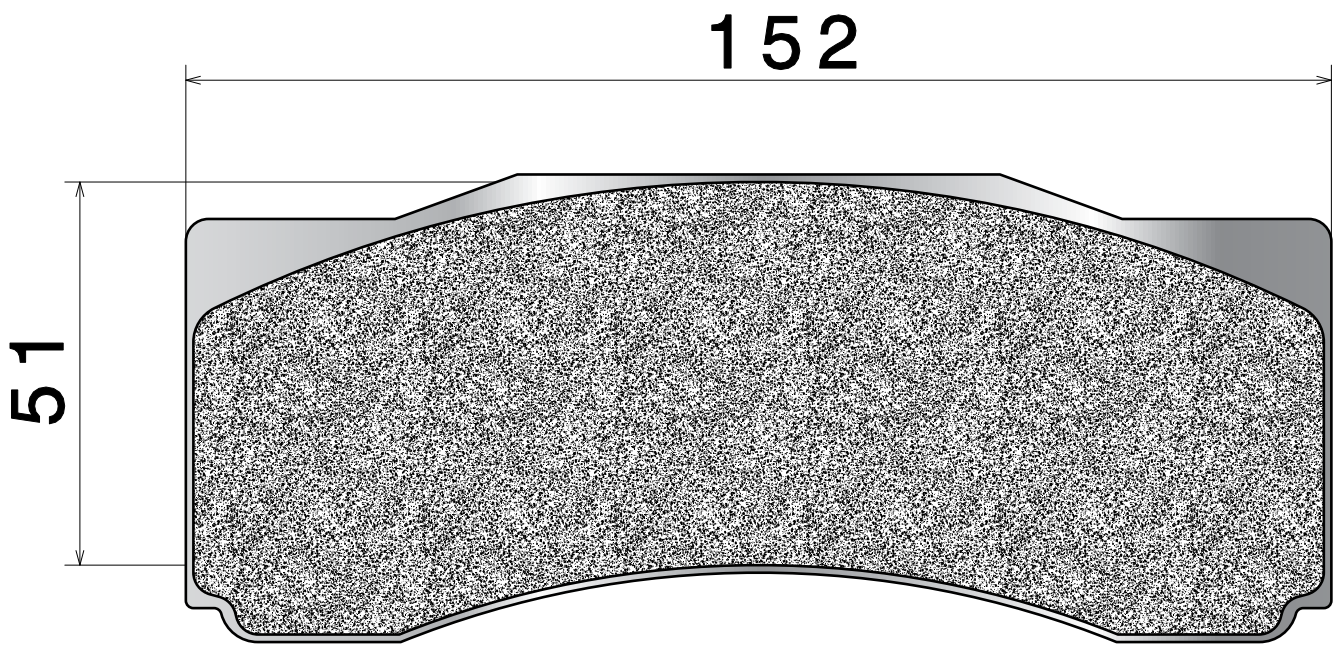


<b>B55</b>	RB350	RB340	RB330	RB170
	✓	✓		✓



2

<b>B56</b>	RB350	RB340	RB330	RB170
				✓



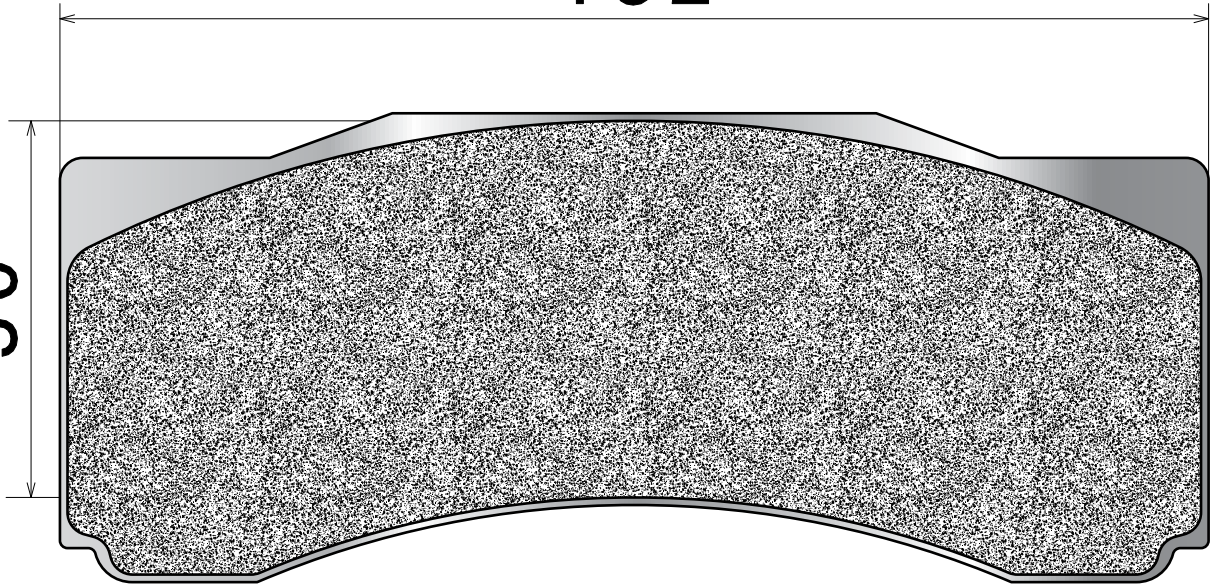
**B58**

RB350	RB340	RB330	RB170
	✓		

152

50

2

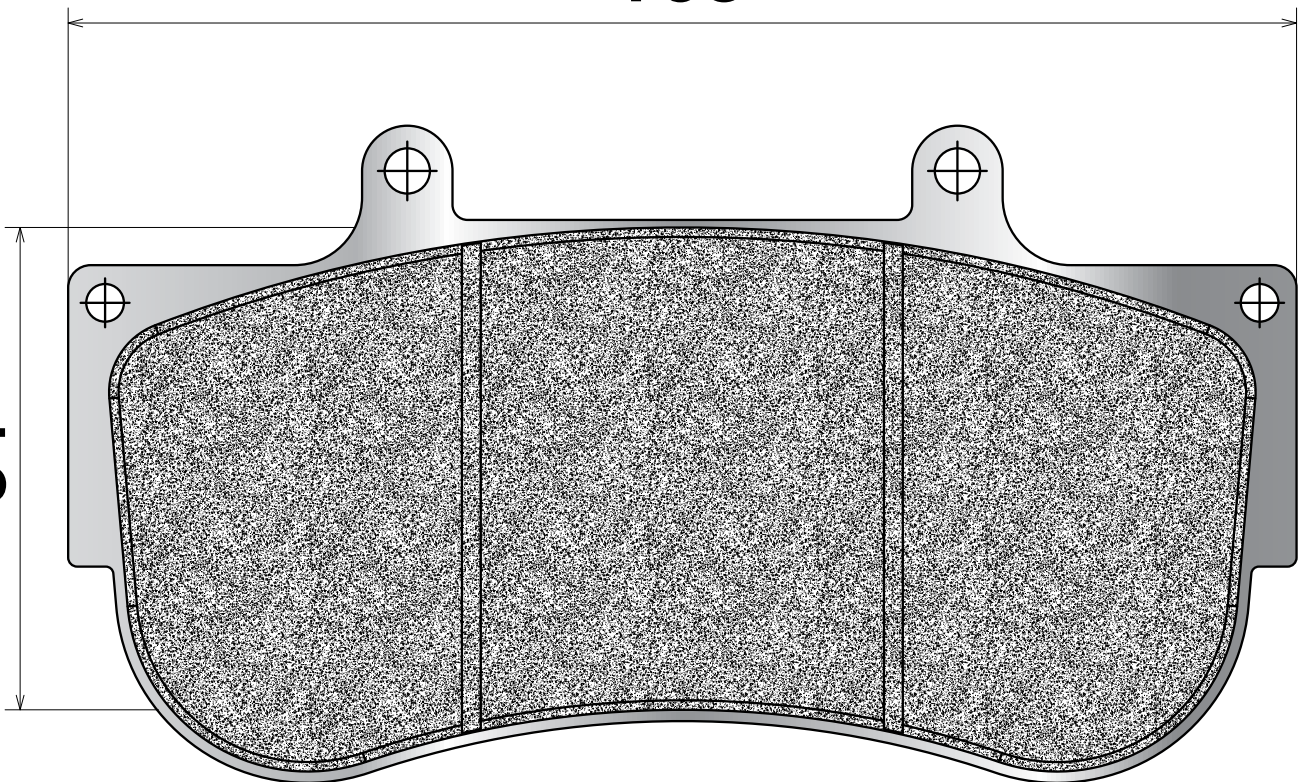


**B60**

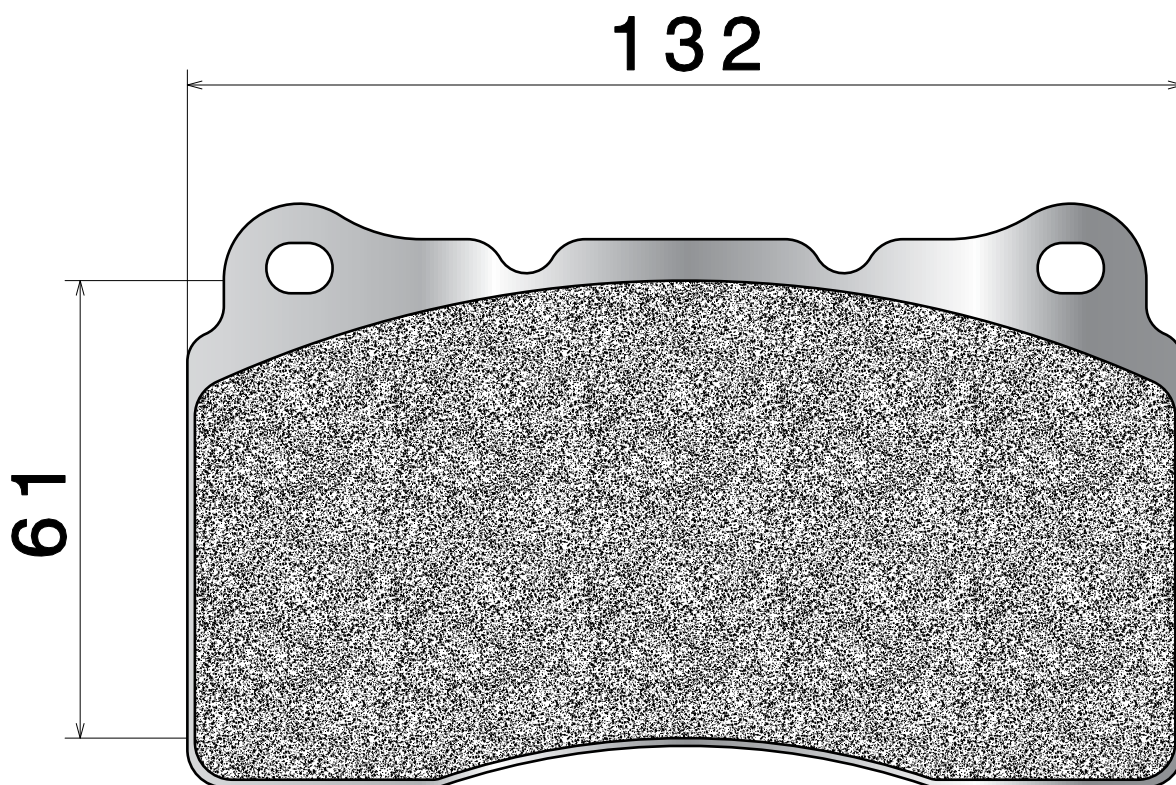
RB350	RB340	RB330	RB170
	✓		

163

64

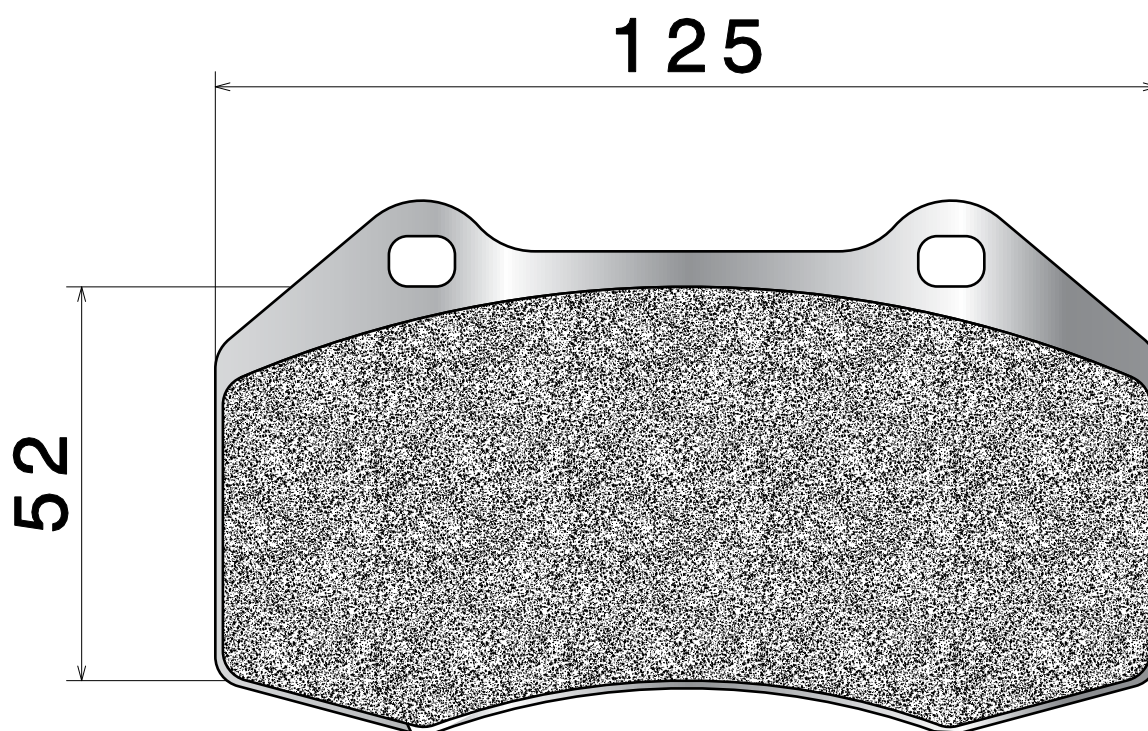


<b>B62</b>	RB350	RB340	RB330	RB170
				✓



2

<b>B63</b>	RB350	RB340	RB330	RB170
	✓	✓	✓	





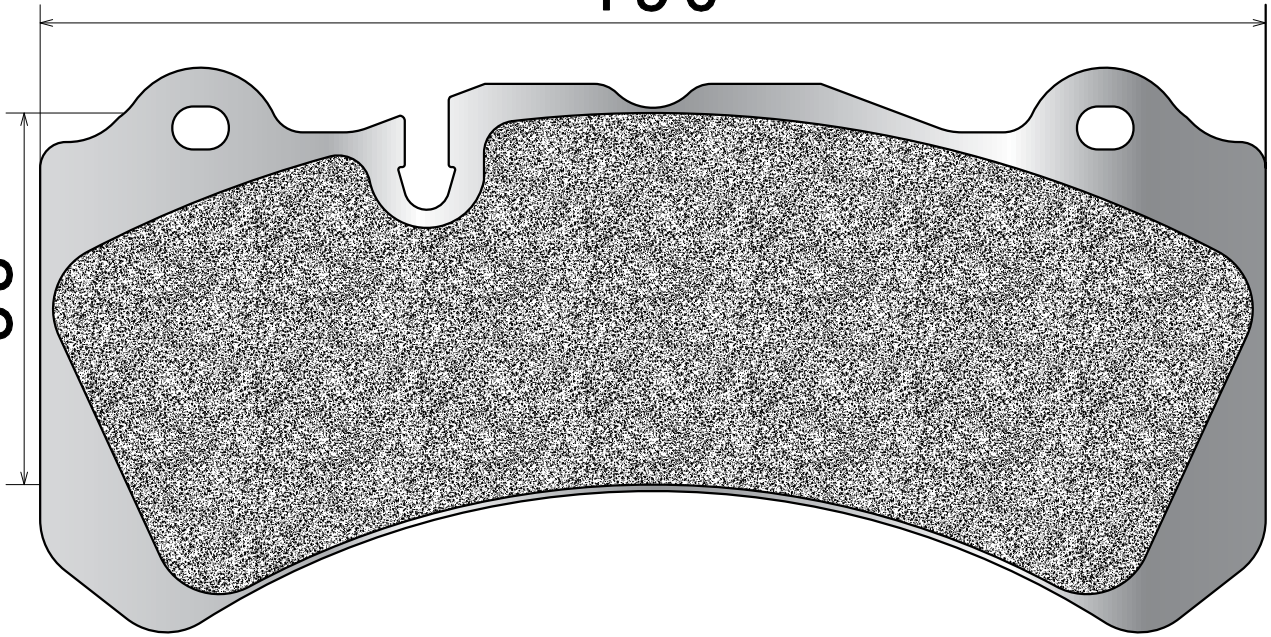
**B64**

RB350	RB340	RB330	RB170
			✓

190

58

2

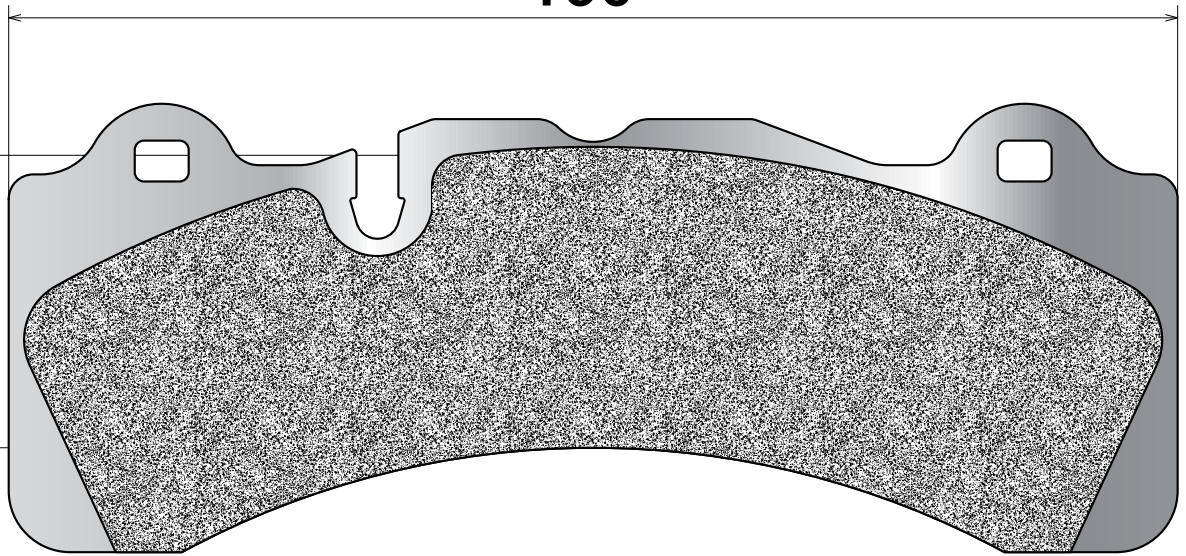


**B65**

RB350	RB340	RB330	RB170
			✓

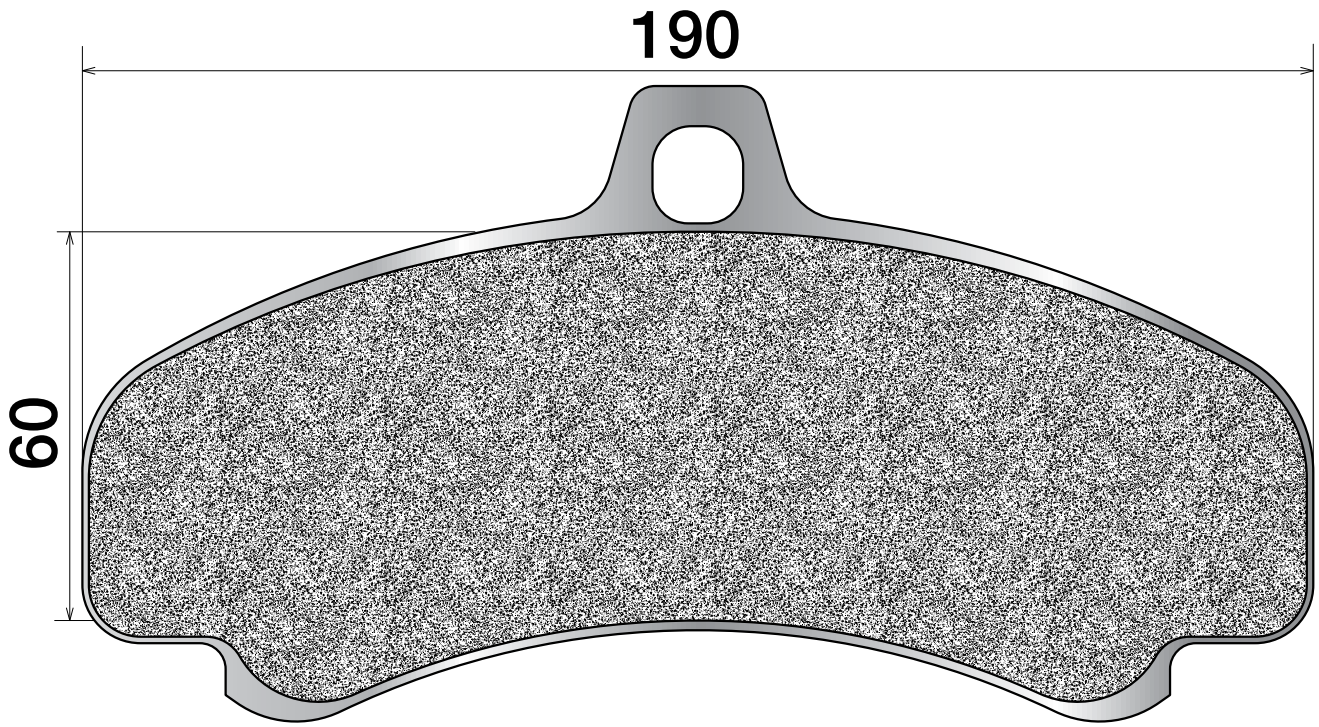
190

48



**B66**

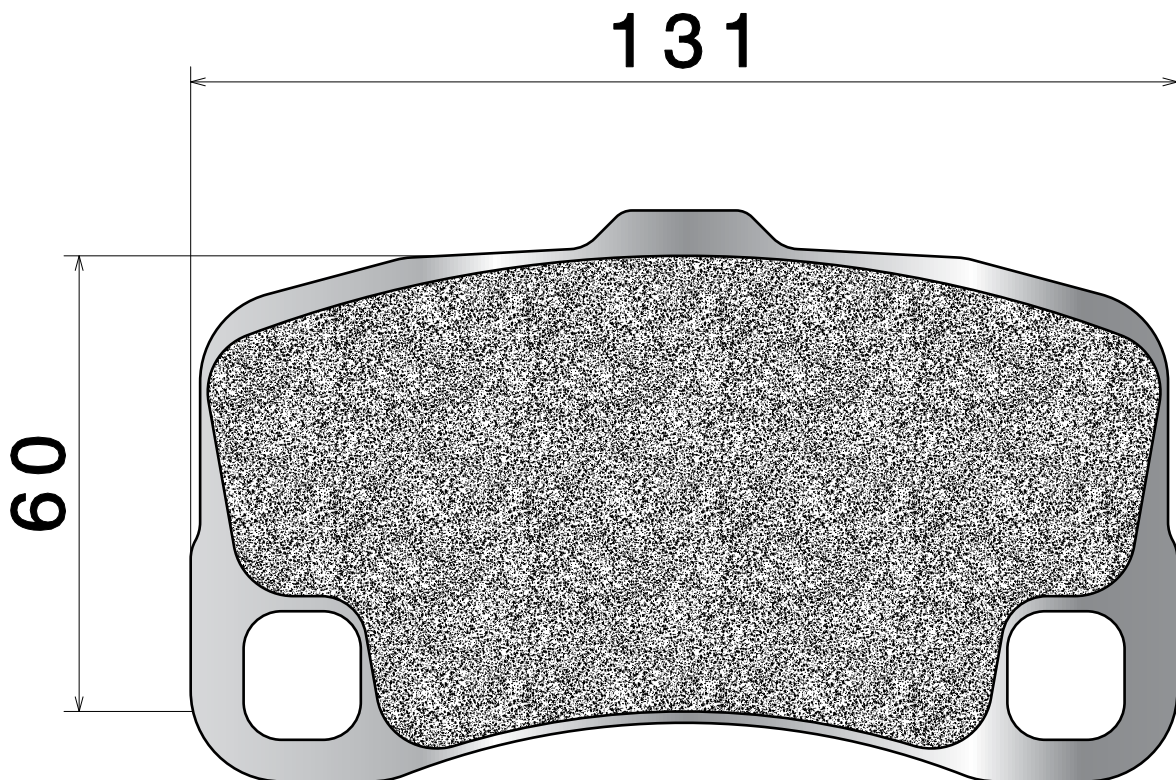
RB350	RB340	RB330	RB170
	✓		



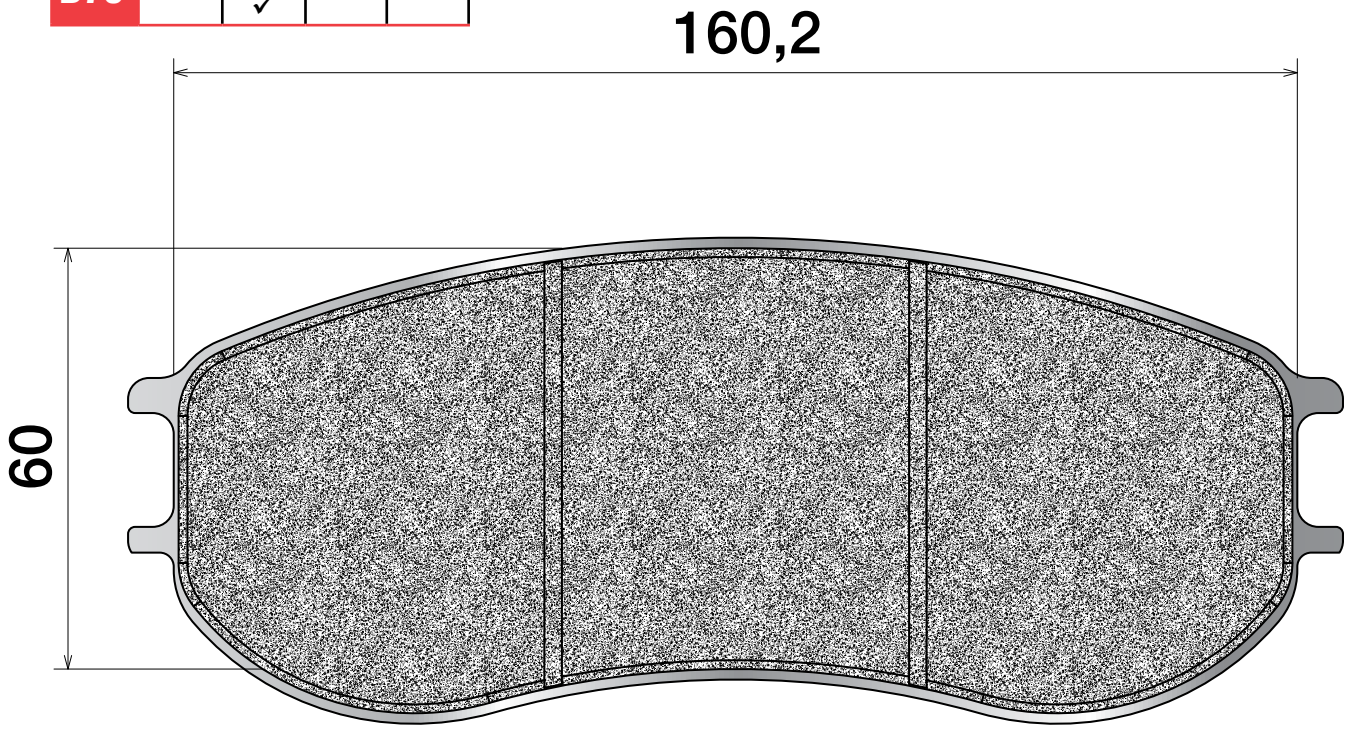
2

**B67**

RB350	RB340	RB330	RB170
	✓		



<b>B70</b>	RB350	RB340	RB330	RB170
		✓		



Brembo S.p.A. accepts no responsibility for any differences between the codes, types, measurements, quantities, colours, images and/or other information provided by us and the actual ones.



